

C.R.S.

Canada Refrigeration Systems Inc.

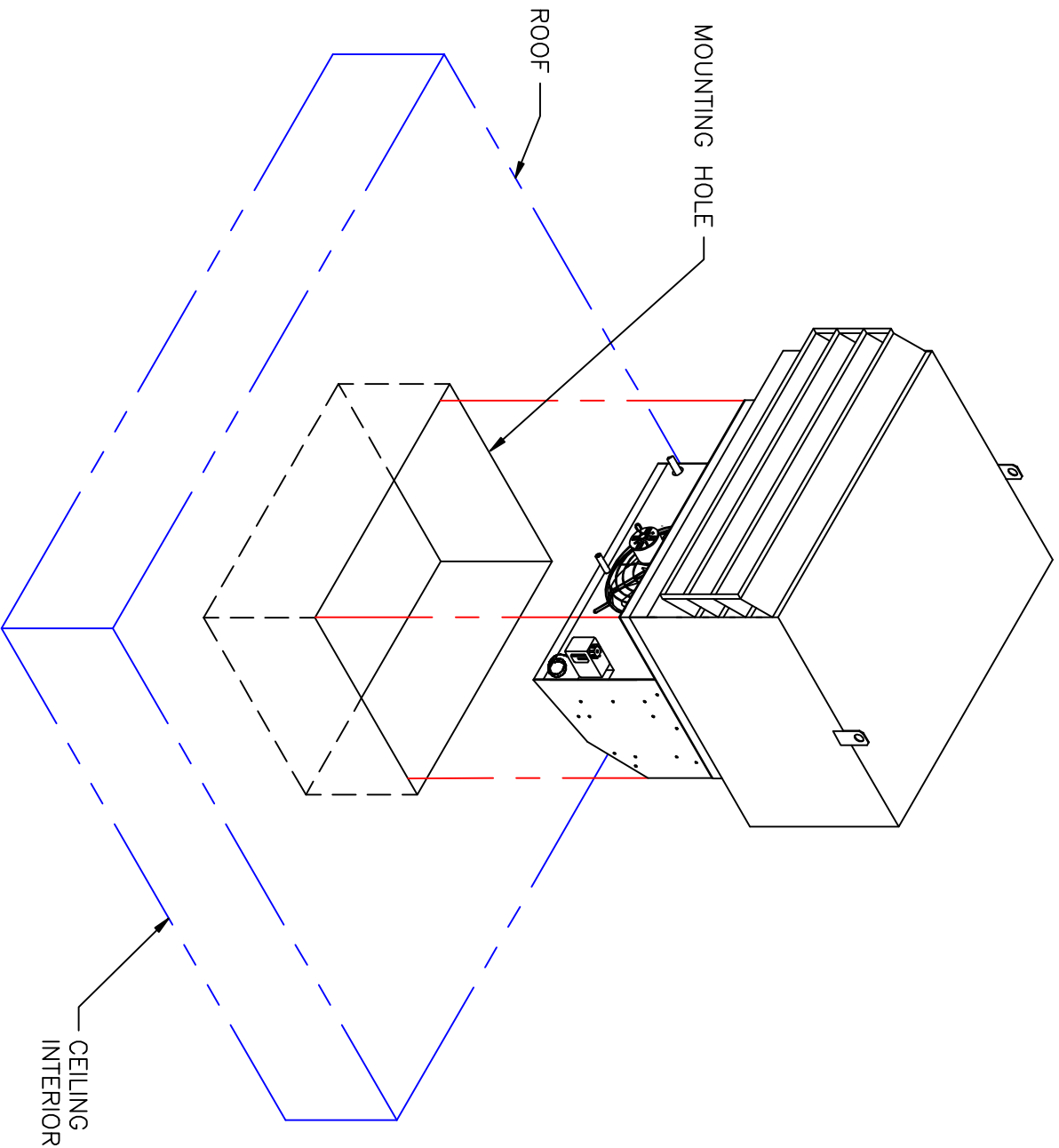
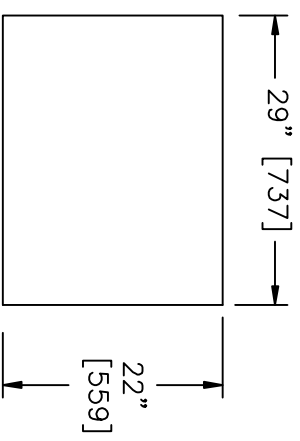
TITLE: OVERALL VIEW

TP 500 & 750 ROOF UNIT

DRAWN BY: F.L. VER. BY: --- NUM: 99P050000R

DATE: 17/06/03 SCALE: NTS PAGE: 1/2

HOLE DIMENSIONS



C.R.S.

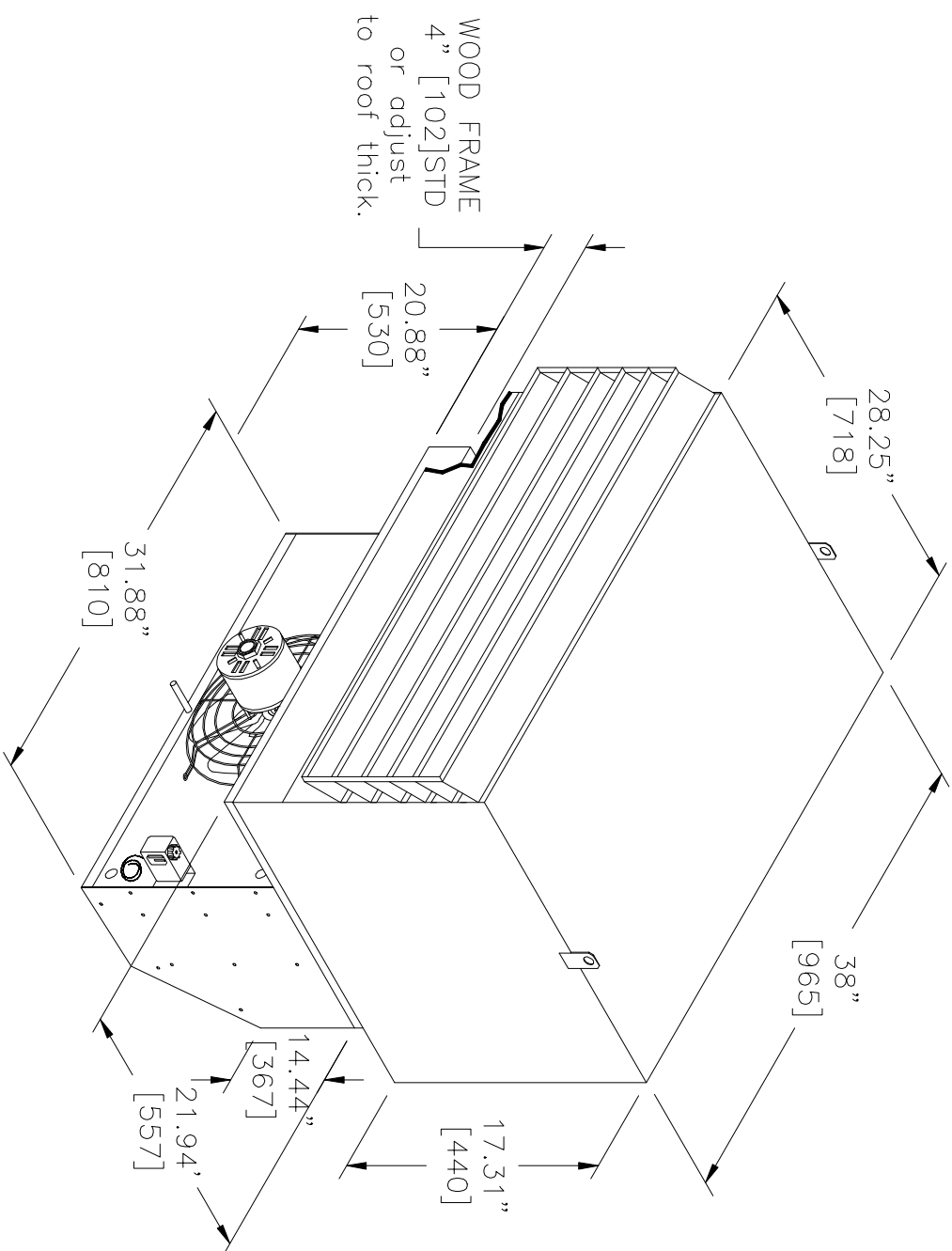
Canada Refrigeration Systems Inc.

TITLE: ROOF INSTALLATION

TP 500 & 750 ROOF UNIT

DRAWN BY: F.L. VER. BY: --- NUM: 99P050000R

DATE: 17/06/03 SCALE: NTS PAGE: 2/2



C.R.S.

Canada Refrigeration Systems Inc.

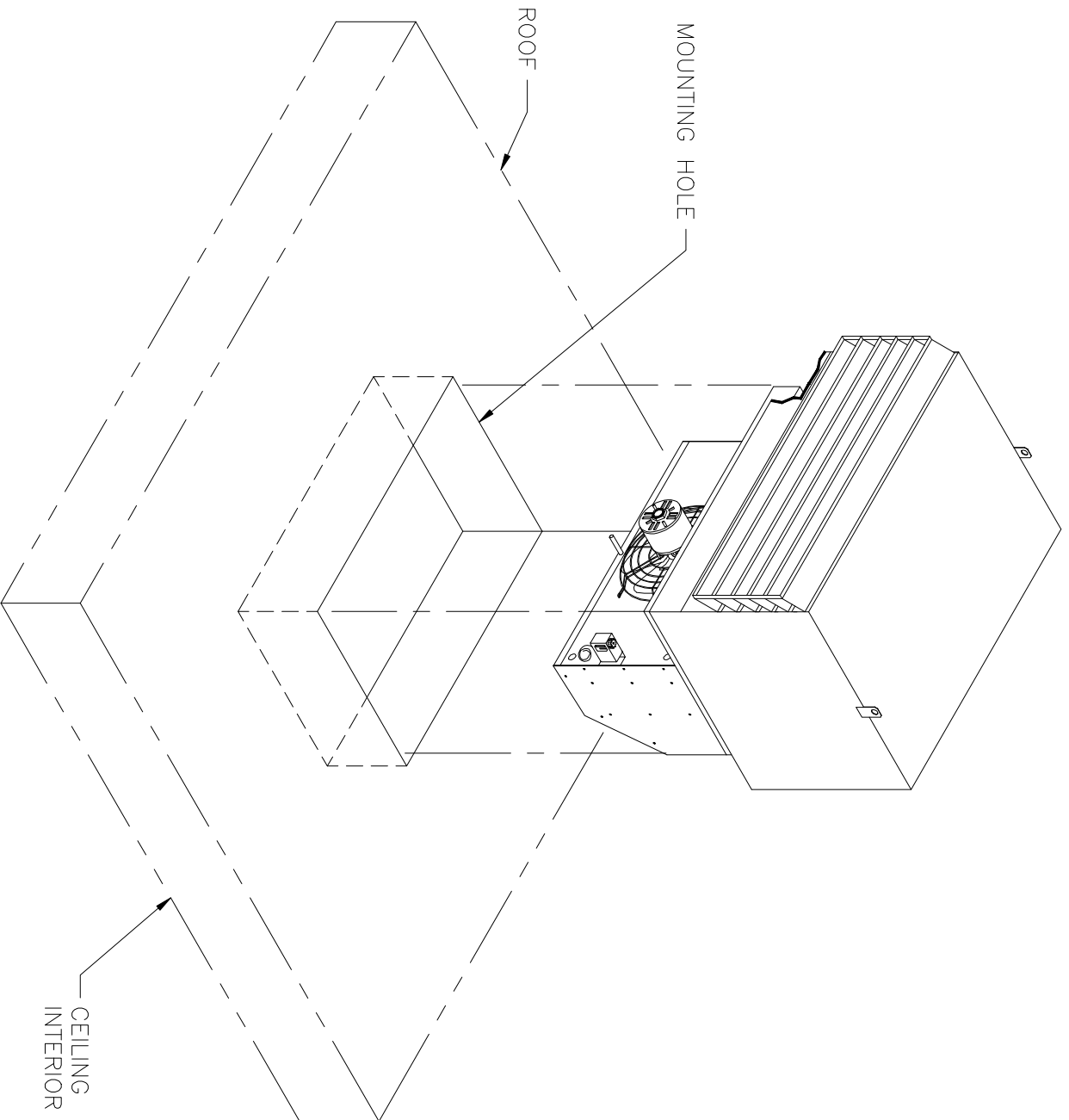
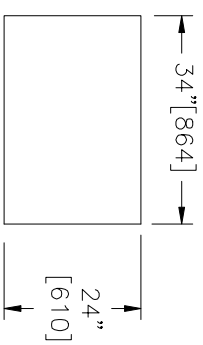
TITLE: OVERALL VIEW

TP 1000 & 1500 ROOF UNIT

DRAWN BY: F.L. VER. BY: --- NUM: 99P100000R

DATE: 17/06/03 SCALE: NTS PAGE: 1/2

HOLE DIMENSIONS



C.R.S.

Canada Refrigeration Systems Inc.

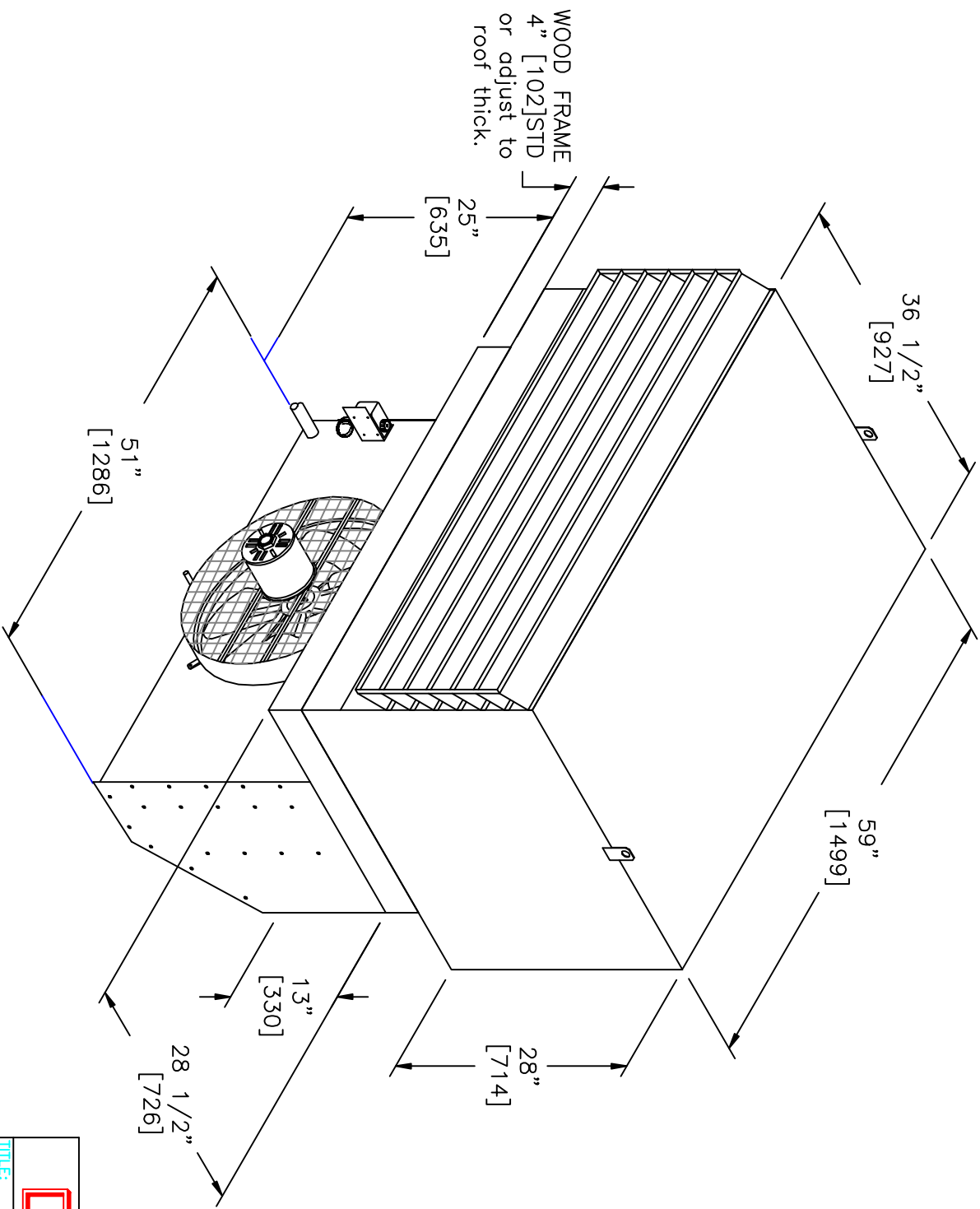
TITLE: ROOF INSTALLATION
TP 1000 & 1500 ROOF UNIT

DRAWN BY: F.L. VER. BY: --- NUM: 99P100000R

DATE: 17/06/03

SCALE: NTS

PAGE: 2/2



WOOD FRAME
4" [102] STD
or adjust to
roof thick.

25"
[635]

36 1/2"
[927]

51"
[1286]

59"
[1499]

28"
[714]

13"
[330]

28 1/2"
[726]

C.R.S.

Canada Refrigeration Systems Inc.

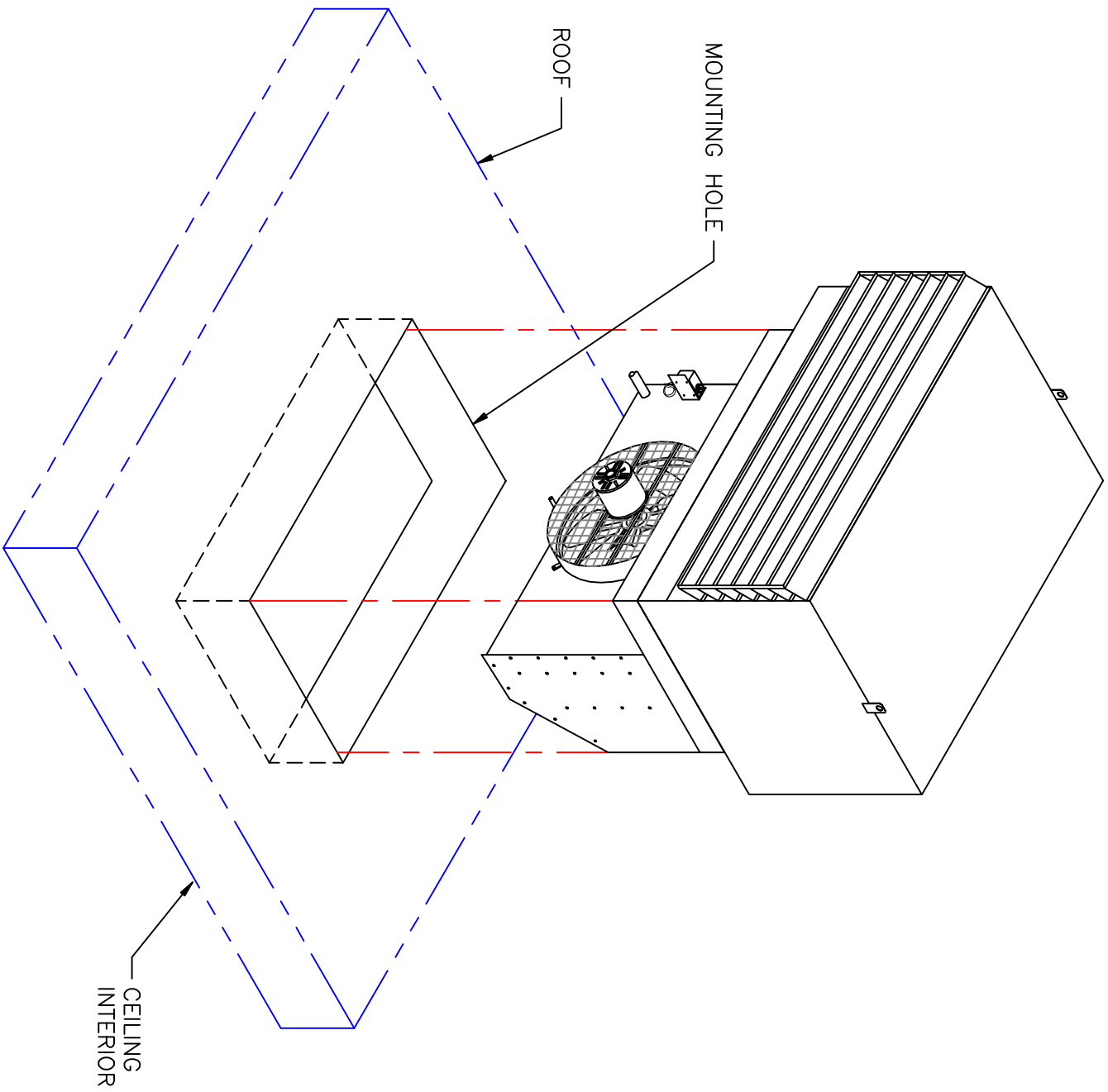
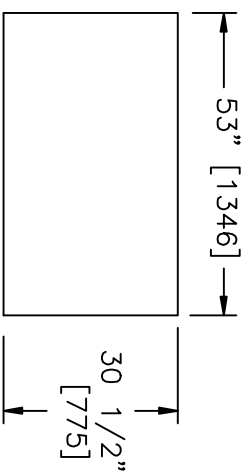
TITLE: OVERALL VIEW

TP 2, 3 & 5000 ROOF UNIT

DRAWN BY: F.L. VER. BY: --- NUM: 99P200000R

DATE: 17/06/03 SCALE: NTS PAGE: 1/2

HOLE DIMENSIONS



C.R.S. Canada Refrigeration Systems Inc.

TITLE:	ROOF INSTALLATION		
DRAWN BY:	F.L.	VER. BY:	---
DATE:	17/06/03	SCALE:	NTS
		PAGE:	2/2
		NUM:	99P200000R
			TP 2, 3 & 5000 ROOF UNIT