

C.R.S. Canada Refrigeration Systems Inc.

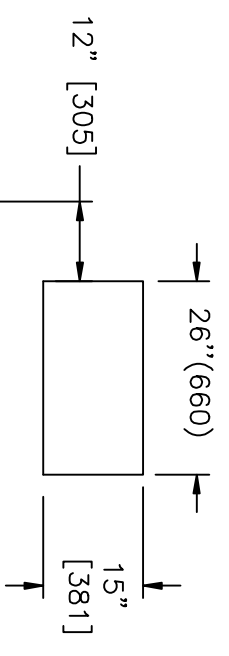
TITLE: OVERALL VIEW

TP-500 WALL UNIT

DRAWN BY: F.L. VER. BY: --- NUM: 99P050000W

DATE: 17/06/03 SCALE: NTS PAGE: 1/2

HOLE DIMENSIONS



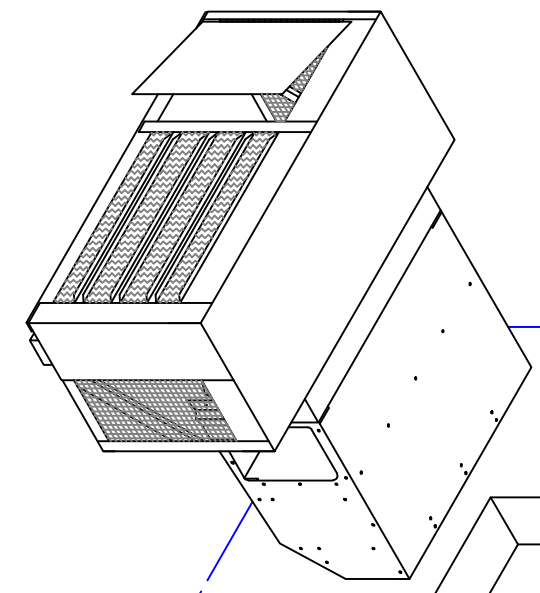
EXTERIOR FRAMING

MOUNTING HOLE

CEILING INTERIOR

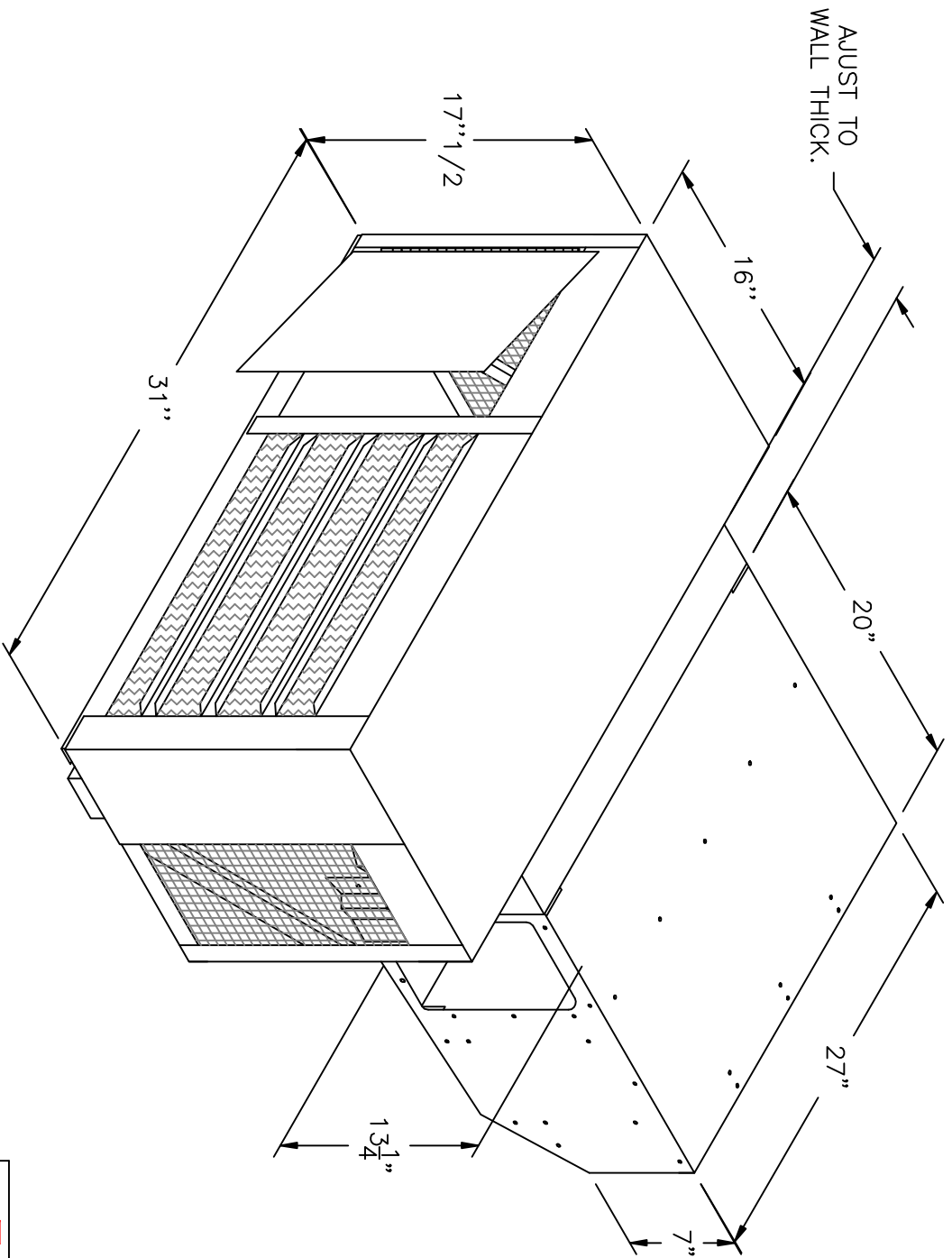
5" [127] MINIMUM

1 1/4" [356] MINIMUM



Canada Refrigeration Systems Inc.

TITLE:	WALL INSTALLATION		
DRAWN BY:	F.L.	VER. BY:	---
DATE:	17/06/03	SCALE:	NTS
		PAGE:	2/2
		NUM:	99P050000W
			TP-500 WALL UNIT

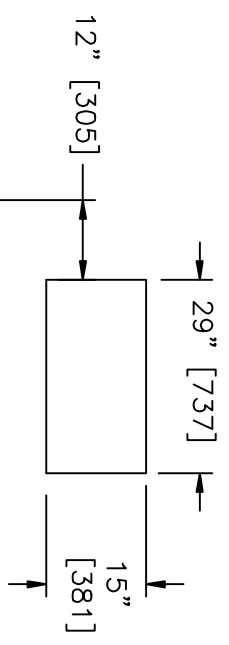


C.R.S.

Canada Refrigeration Systems Inc.

TITLE:	OVERALL VIEW		
DRAWN BY:	F.L.	VER. BY:	---
DATE:	17/06/03	SCALE:	NTS
		PAGE:	1/2
		NUM:	99P075000W
			TP-750 WALL UNIT

HOLE DIMENSIONS



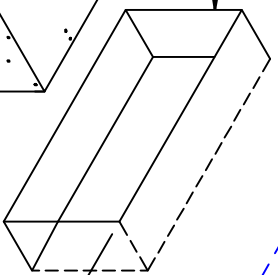
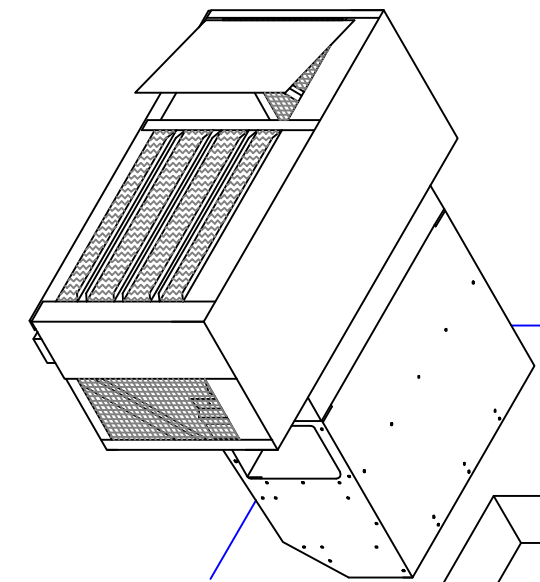
EXTERIOR FRAMING

MOUNTING HOLE

CEILING INTERIOR

5" [127] MINIMUM
14" [356] MINIMUM

SWITCH

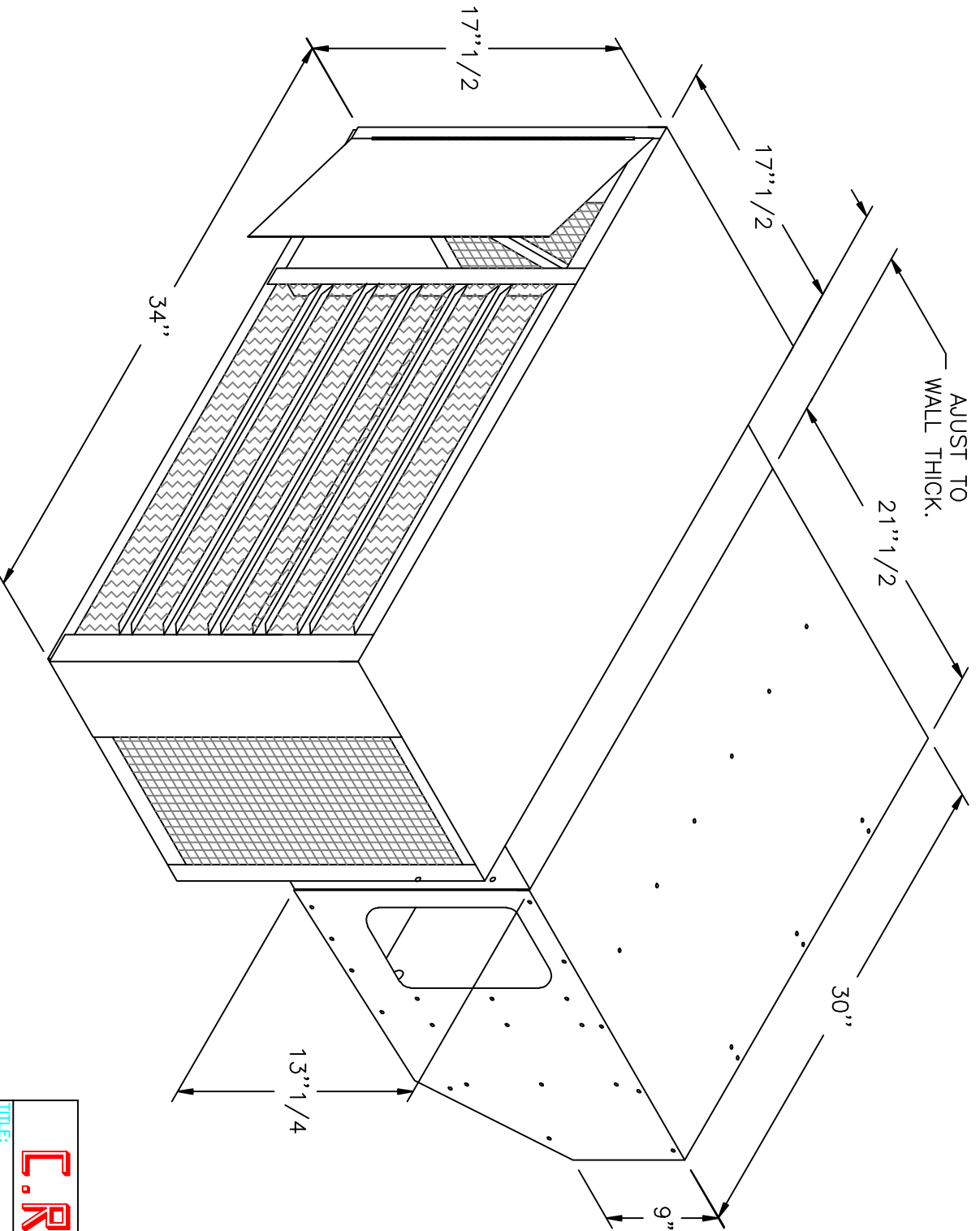


Canada Refrigeration Systems Inc.

TITLE: WALL INSTALLATION TP-750 WALL UNIT

DRAWN BY: F.L. VER. BY: --- NUM. 99P075000W

DATE: 17/06/03 SCALE: NTS PAGE: 2/2



C.R.S.

Canada Refrigeration Systems Inc.

TITLE:

OVERALL VIEW
TP-1000 WALL UNIT

DRAWN BY: F.L.

VER. BY: ---

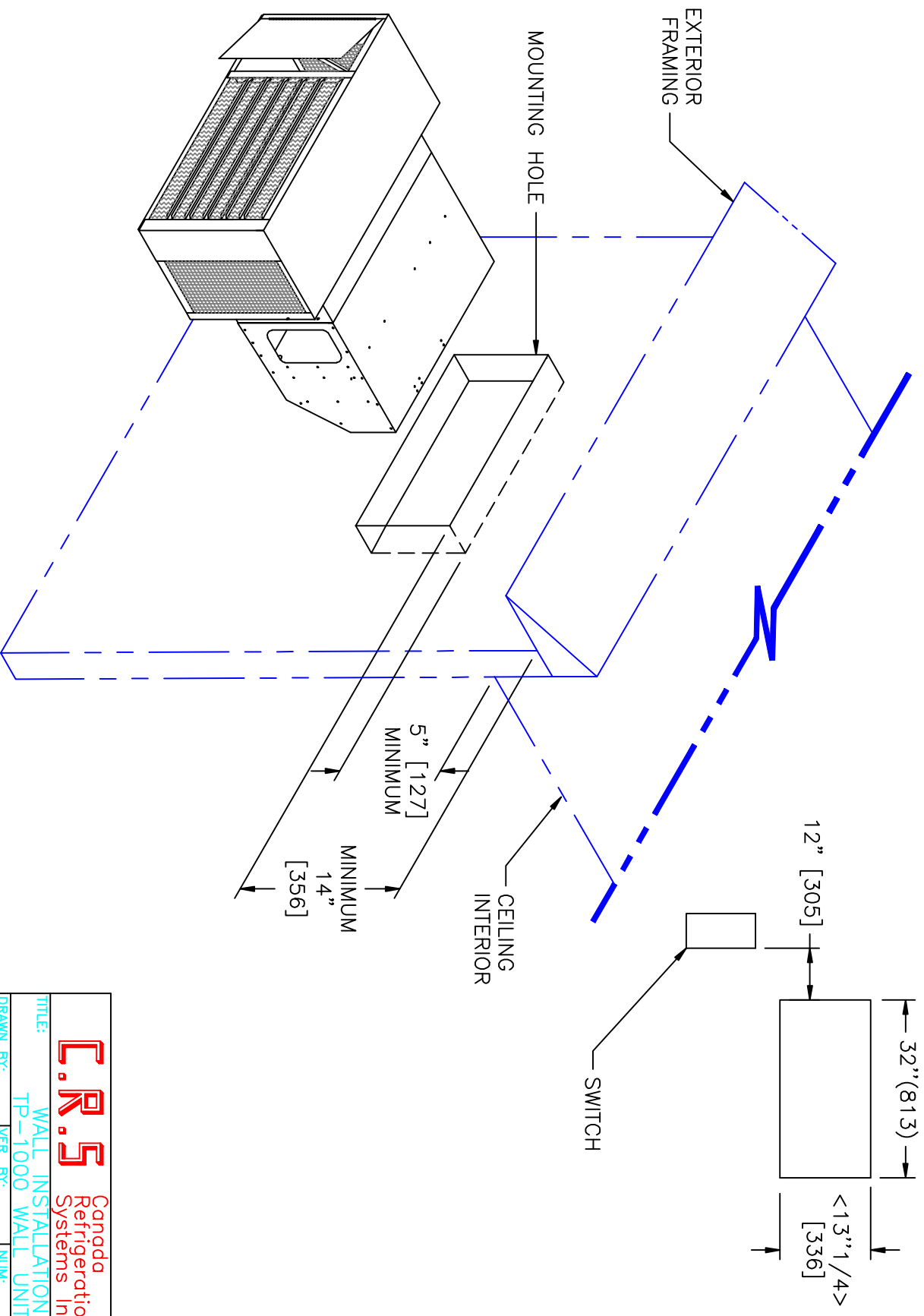
NUM.: 99P100000W

DATE: 17/06/03

SCALE: NTS

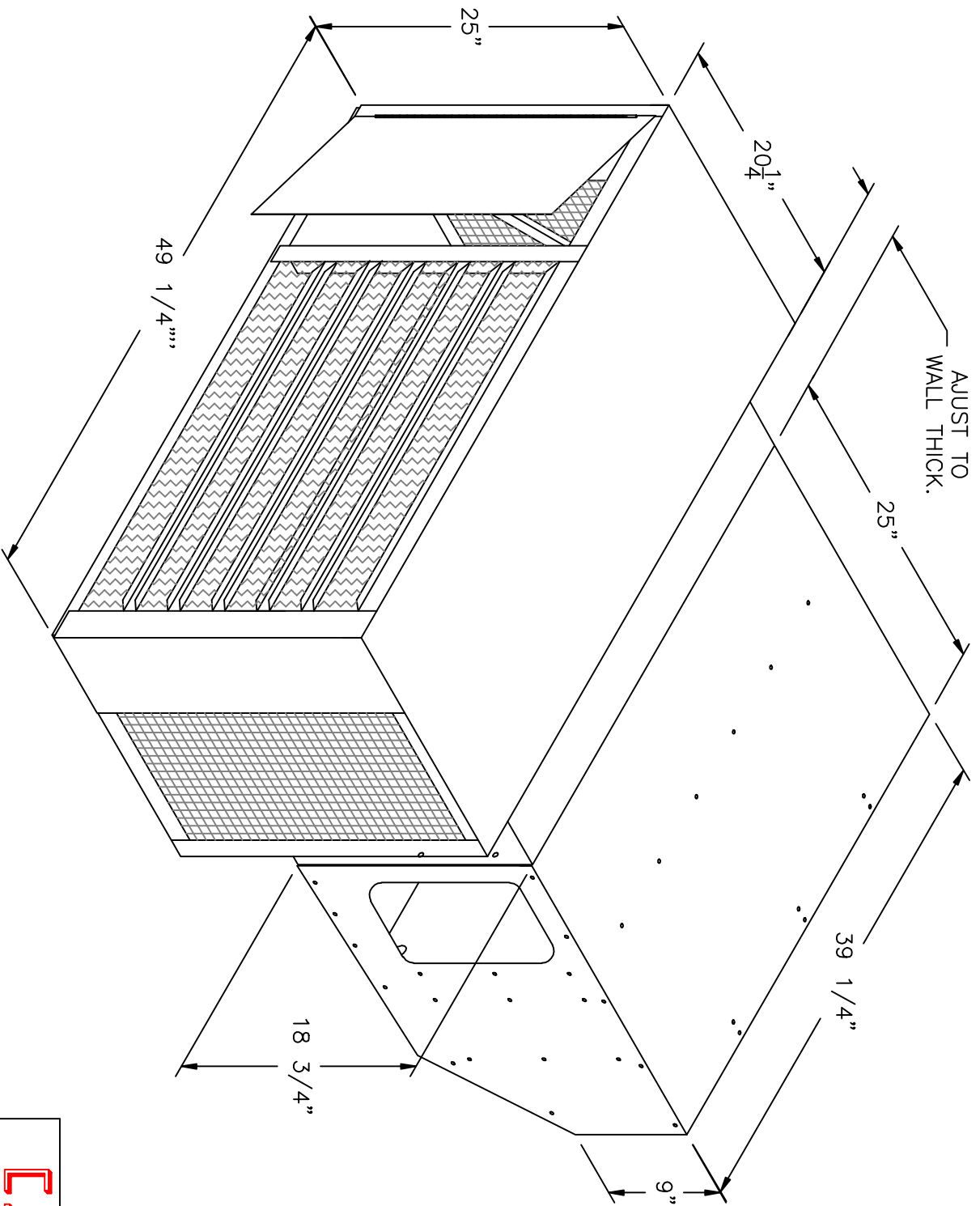
PAGE: 1/2

HOLE DIMENSIONS



Canada Refrigeration Systems Inc.

TITLE:	WALL INSTALLATION		
DRAWN BY:	F.L.	VER. BY:	---
DATE:	17/06/03	SCALE:	NTS
		PAGE:	2/2
		NUM:	99P100000W
			TP-1000 WALL UNIT



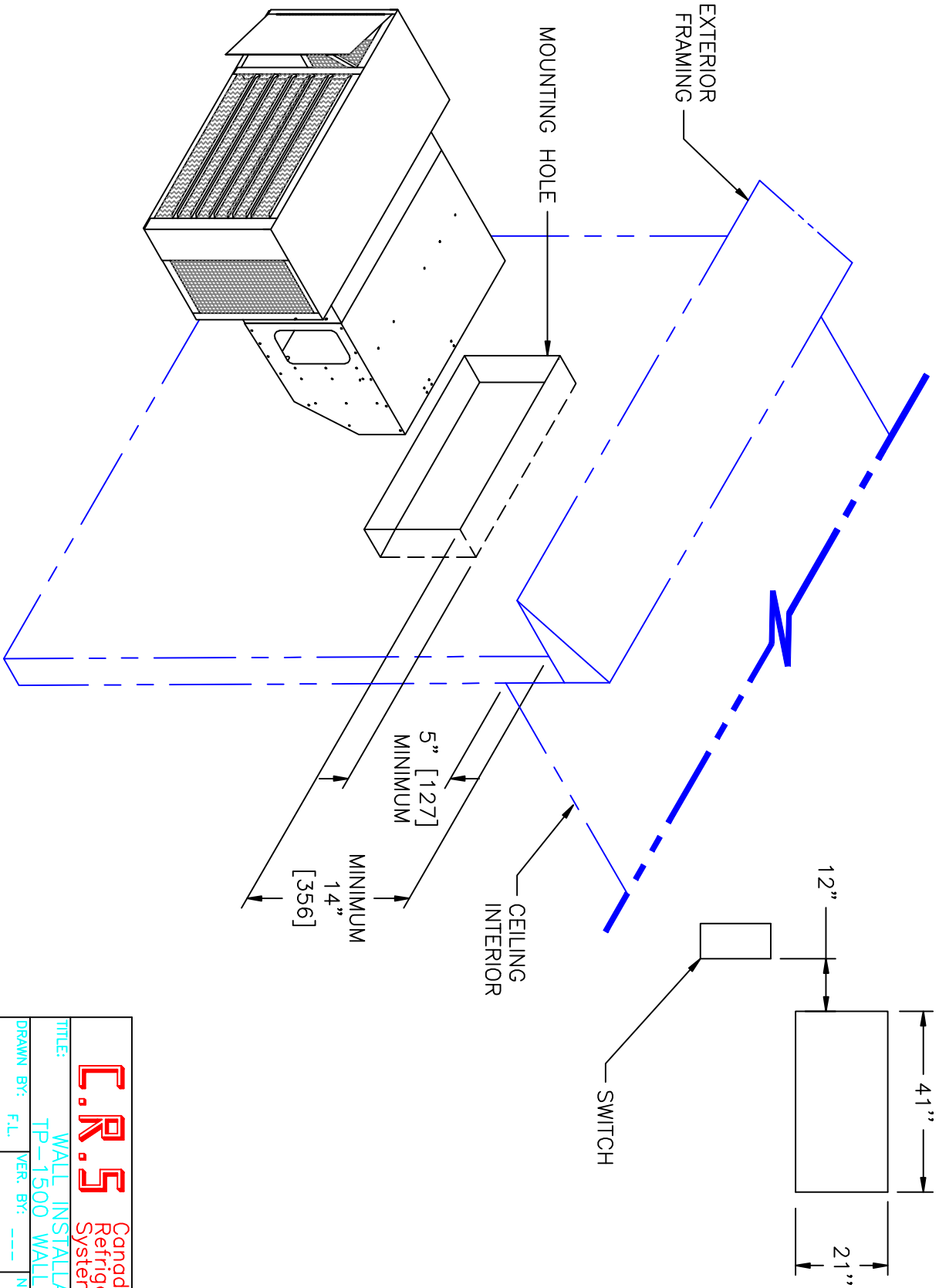
C.R.S. Canada Refrigeration Systems Inc.

TITLE: OVERALL VIEW
 TP-1500 WALL UNIT

DRAWN BY: F.L. VER. BY: --- NUM.: 99P150000W

DATE: 17/06/03 SCALE: NTS PAGE: 1/2

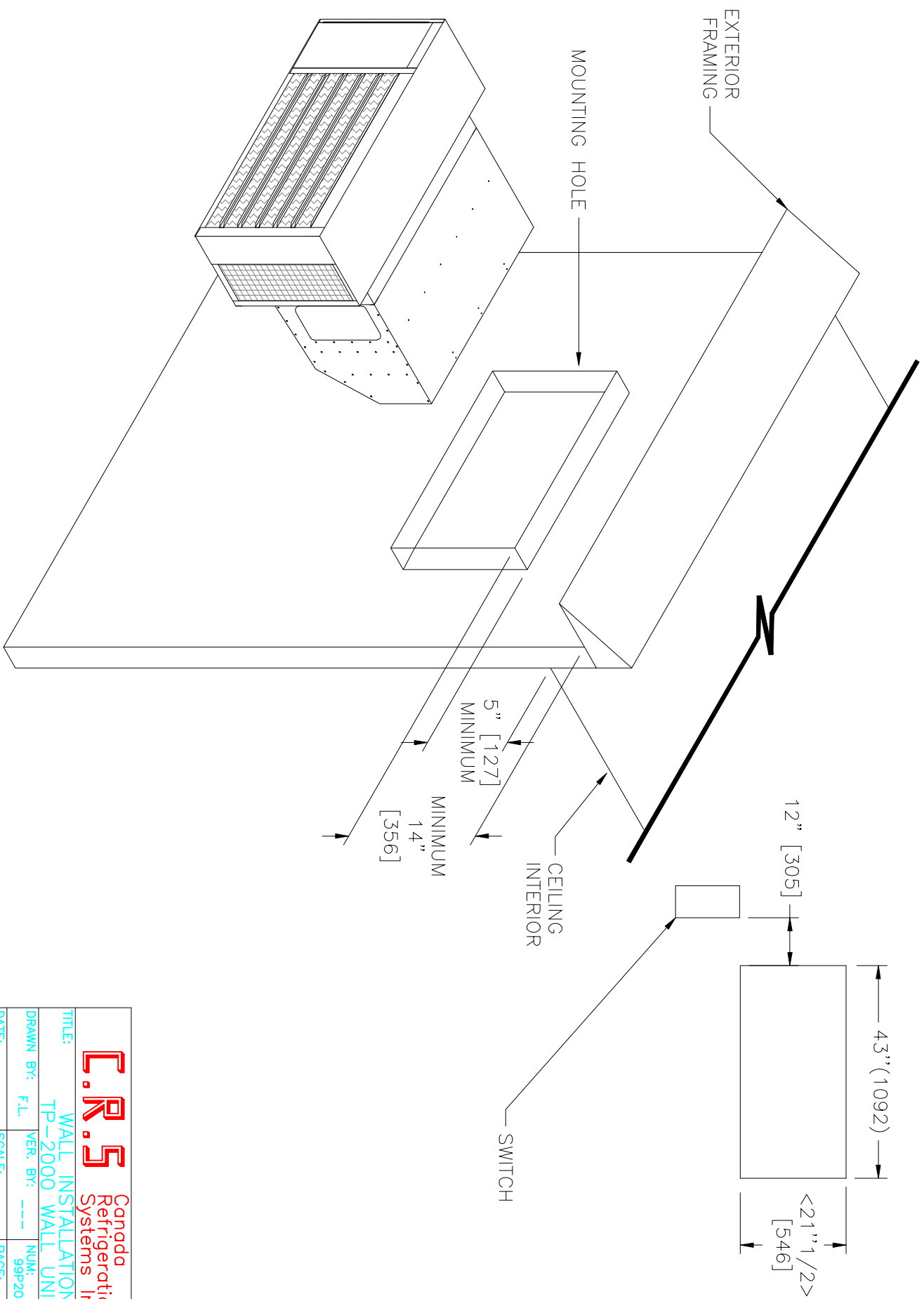
HOLE DIMENSIONS



Canada Refrigeration Systems Inc.

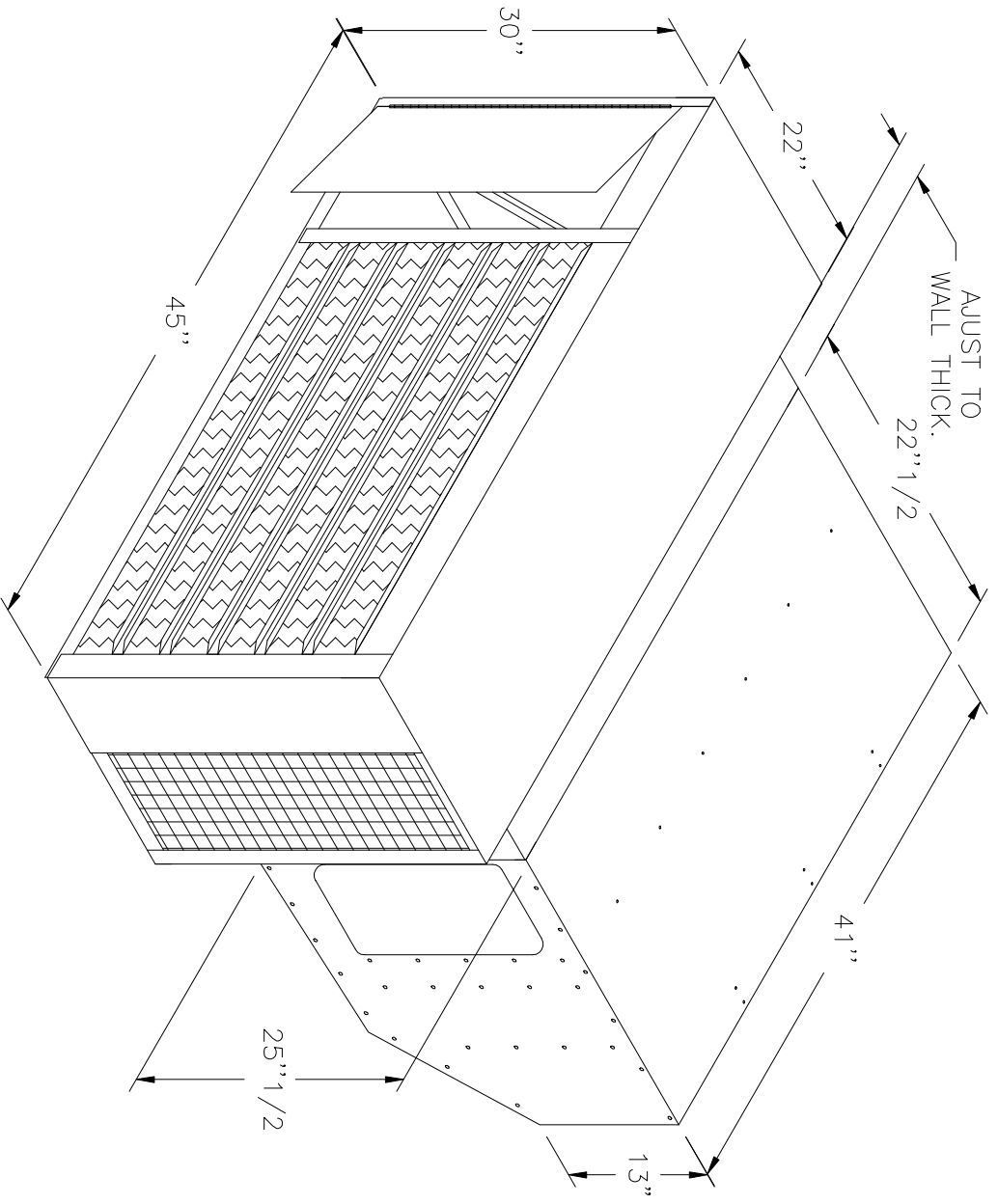
TITLE:	WALL INSTALLATION TP-1500 WALL UNIT		
DRAWN BY:	F.L.	VER. BY:	---
DATE:	17/06/03	SCALE:	NTS
		PAGE:	2/2

HOLE DIMENSIONS



Canada Refrigeration Systems Inc.

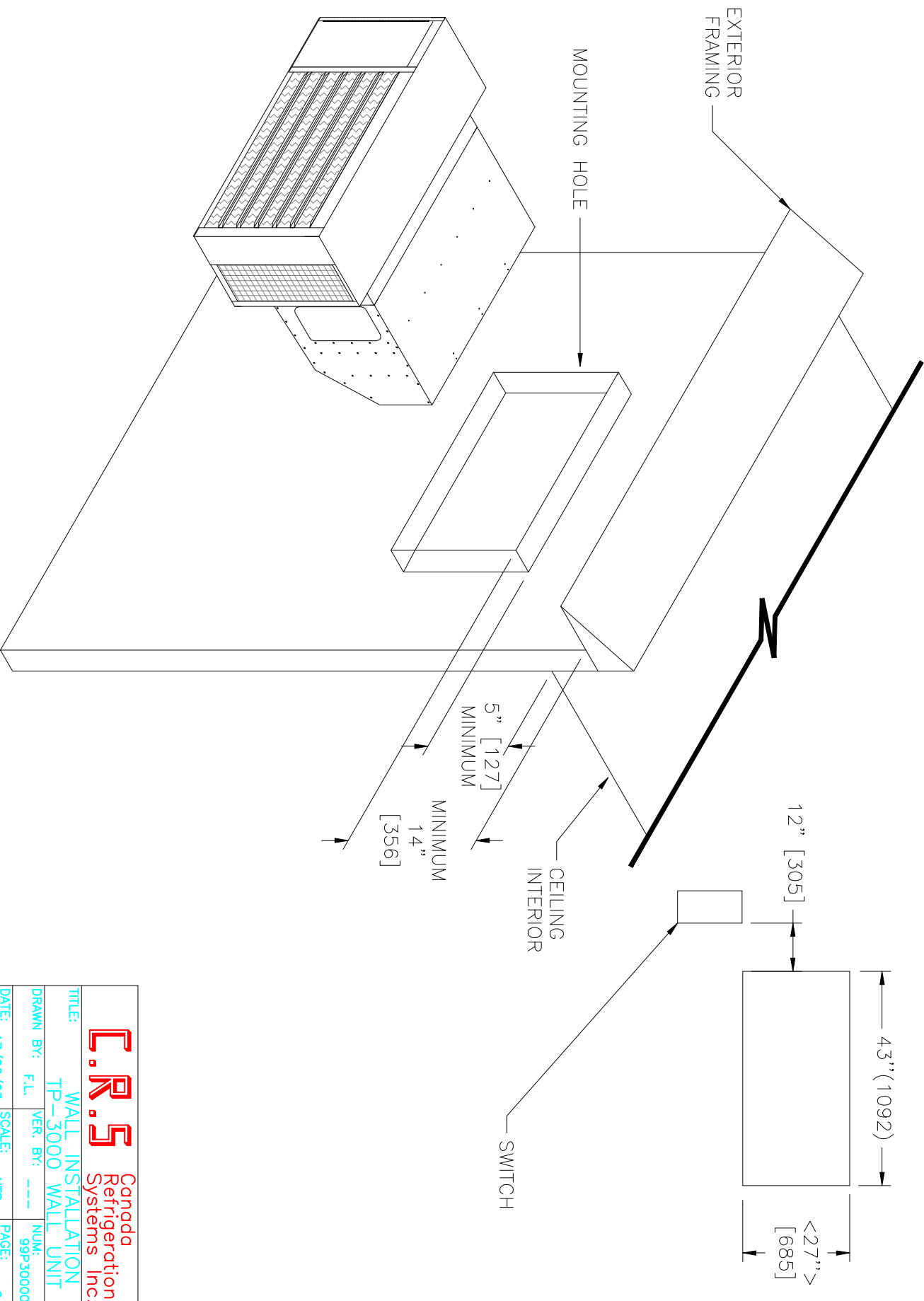
TITLE:	WALL INSTALLATION		
DRAWN BY:	F.L.	VER. BY:	---
DATE:	17/06/03	SCALE:	NTS
		PAGE:	2/2
		NUM:	99P200000W
			TP-2000 WALL UNIT



Canada Refrigeration Systems Inc.

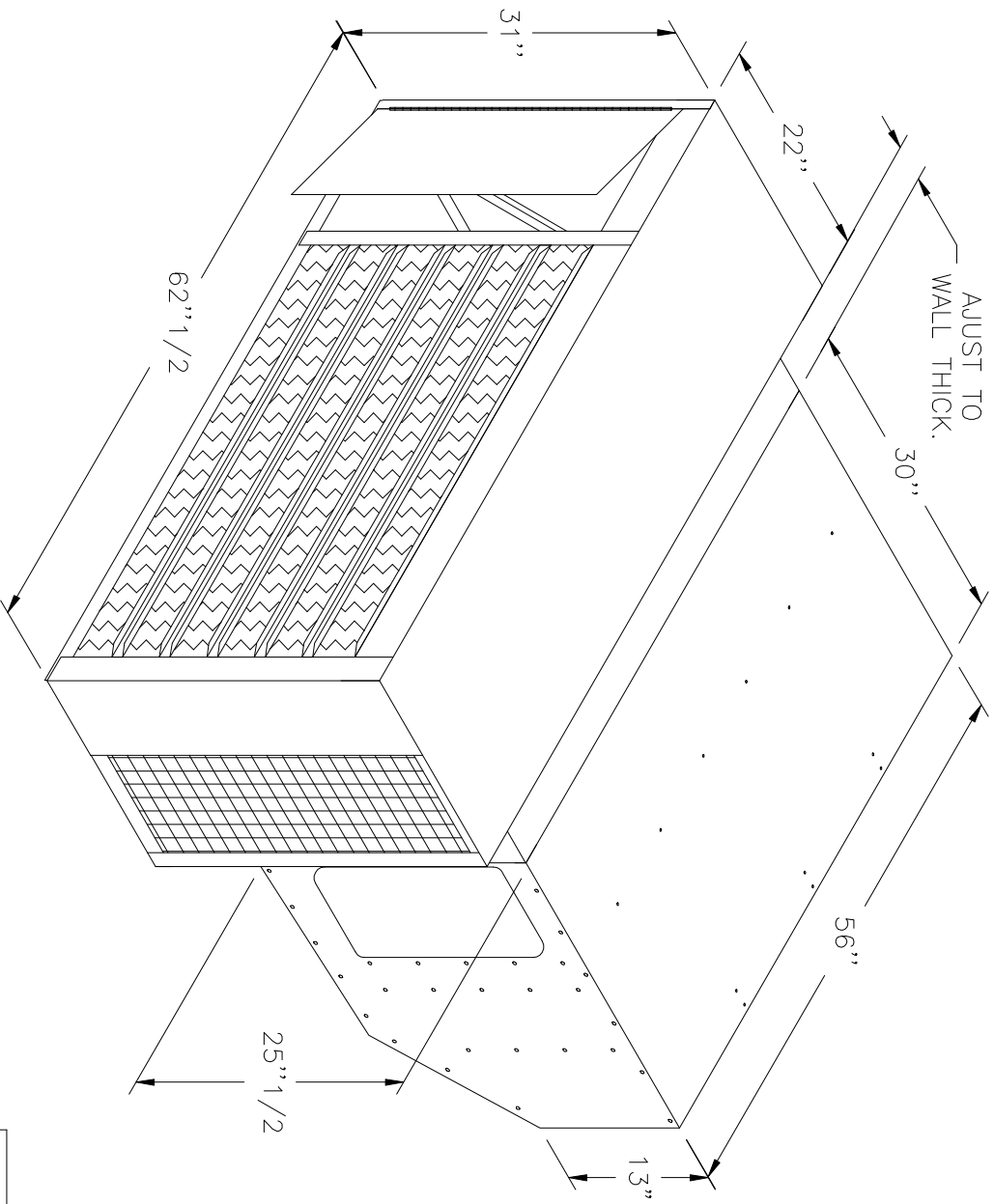
TITLE:	OVERALL VIEW		
DRAWN BY:	F.L.	VER. BY:	---
DATE:	17/06/03	SCALE:	NTS
		PAGE:	1/2
		NUM.:	99P300000W
			TP-3000 WALL UNIT

HOLE DIMENSIONS



C.R.S. Canada Refrigeration Systems Inc.

TITLE:	WALL INSTALLATION		
DRAWN BY:	F.L.	VER. BY:	---
DATE:	17/06/03	SCALE:	NTS
		PAGE:	2/2
		NUM:	99P300000W
			TP-3000 WALL UNIT

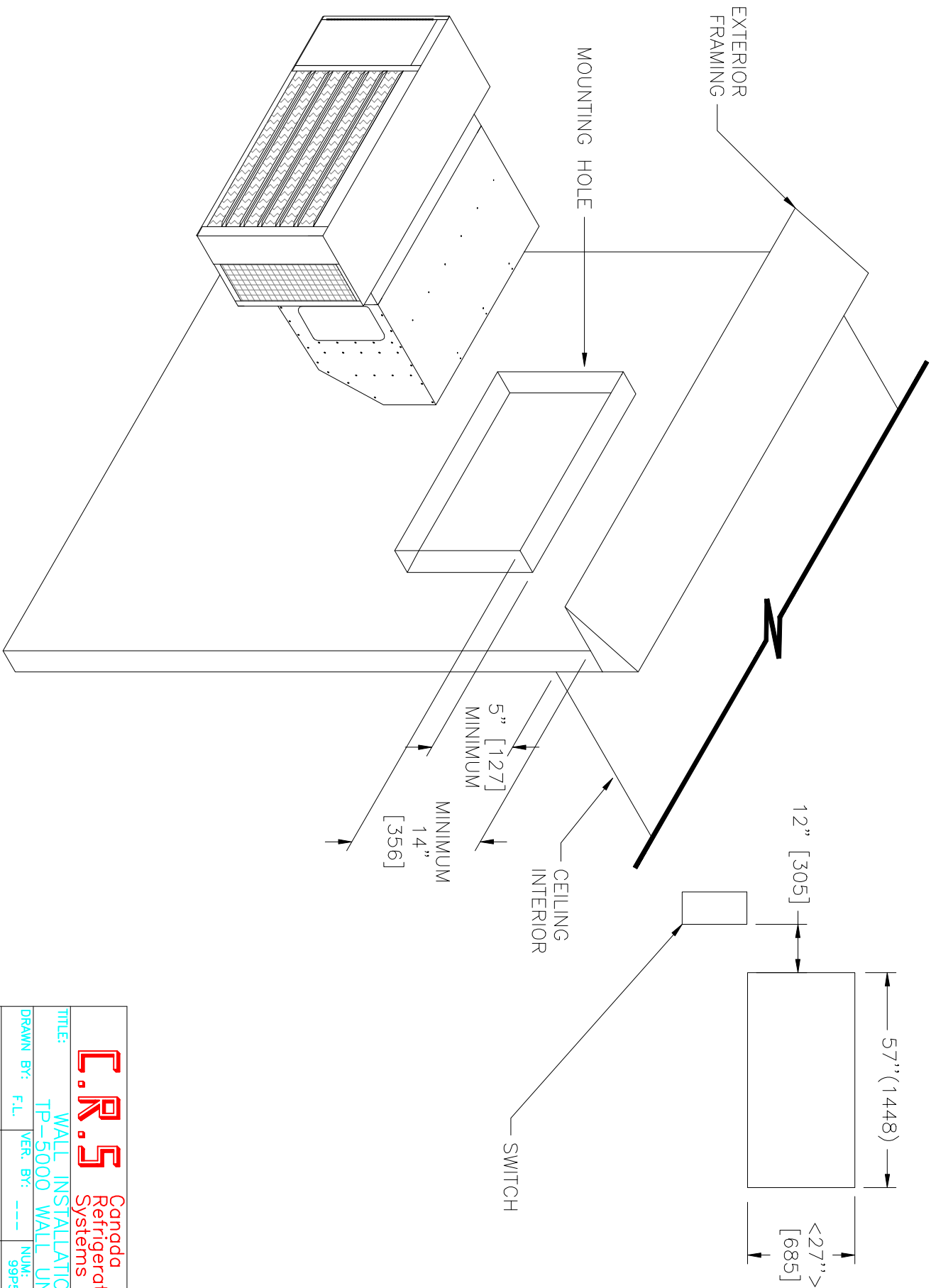


C.R.S.

Canada Refrigeration Systems Inc.

TITLE:	OVERALL VIEW		
DRAWN BY:	F.L.	VER. BY:	---
DATE:	17/06/03	SCALE:	NTS
		PAGE:	1/2
		NUM.:	99P500000W
			TP-5000 WALL UNIT

HOLE DIMENSIONS



Canada Refrigeration Systems Inc.

TITLE: WALL INSTALLATION
TP-5000 WALL UNIT

DRAWN BY: F.L. VER. BY: --- NUM: 99P500000W

DATE: 17/06/03 SCALE: NTS PAGE: 2/2