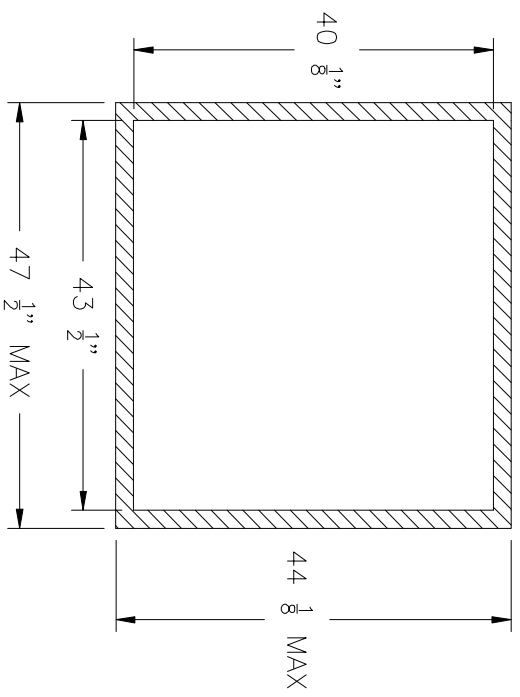
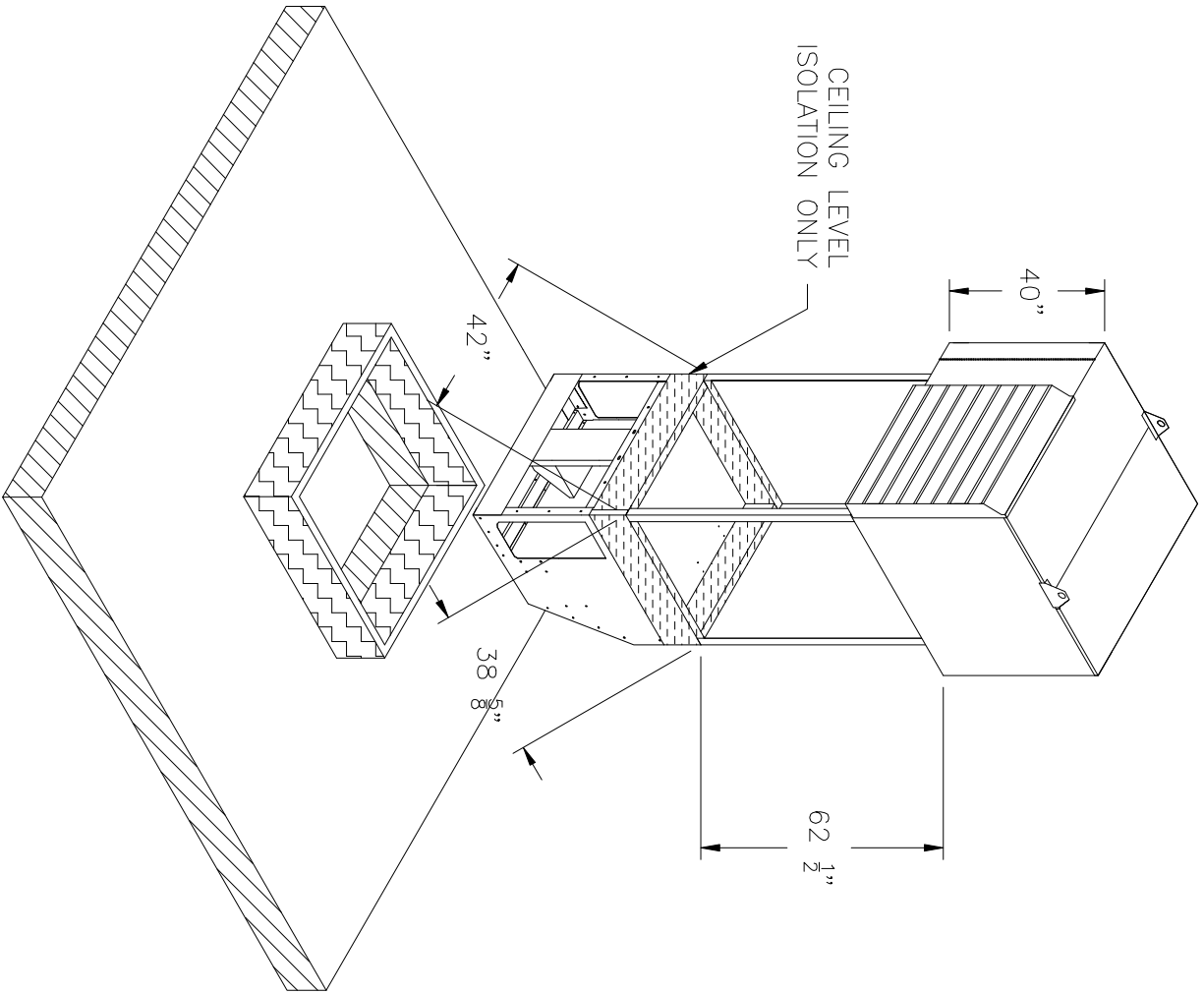
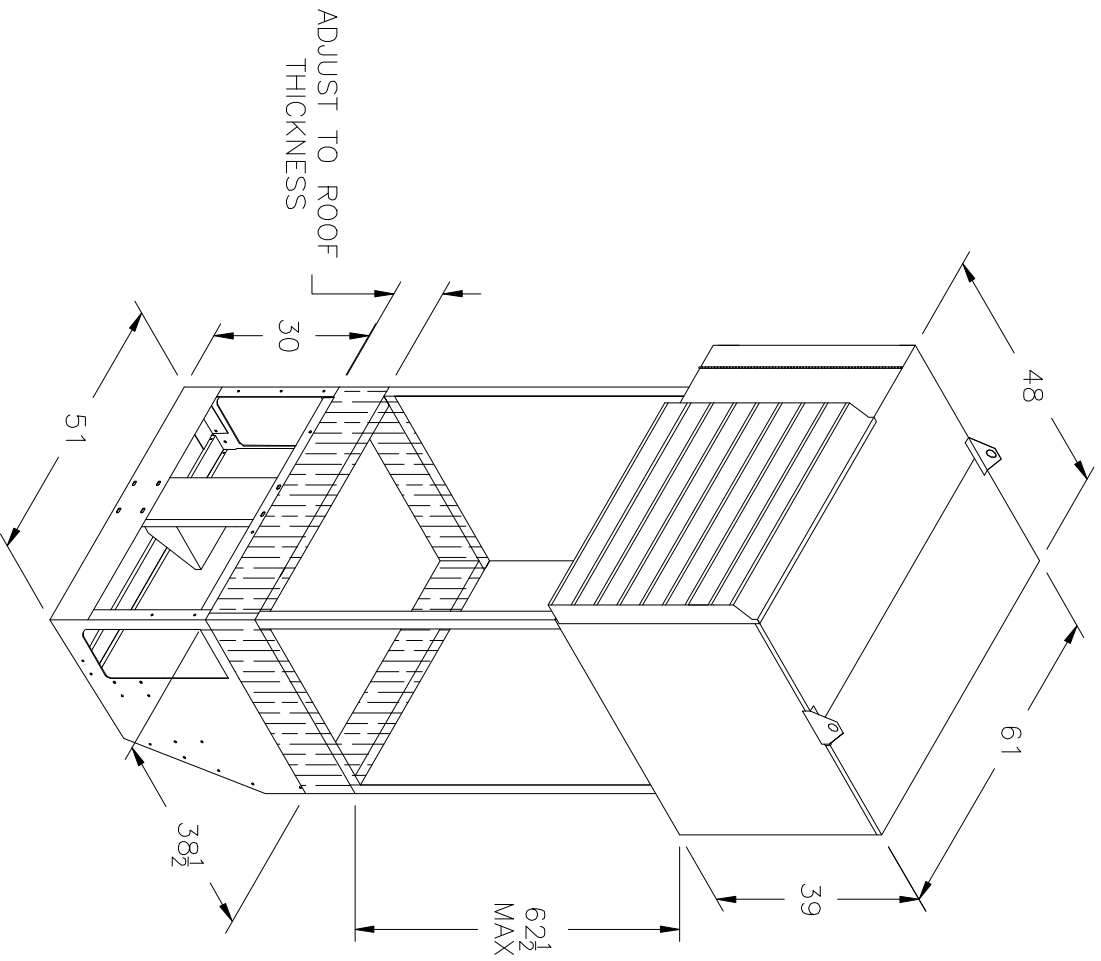


# DIMENSION OF OPENING



<b>C.R.S.</b>		Canada Refrigeration Systems Inc.	
OVERALL VIEW			
PLE 1050 ROOF UNIT			
TITLE:	OVERALL VIEW	VER. BY:	NUM.:
DRAWN BY:	F.L.	VER. BY:	---
DATE:	05/07/07	SCALE:	NTS
		PAGE:	1/1



**C.R.S.**

Canada Refrigeration Systems Inc.

TITLE:

OVERALL VIEW

PLE 1075 ROOF UNIT

DRAWN BY:

F.L.

VER. BY:

---

NUM.:

99W107000R

DATE:

05/07/07

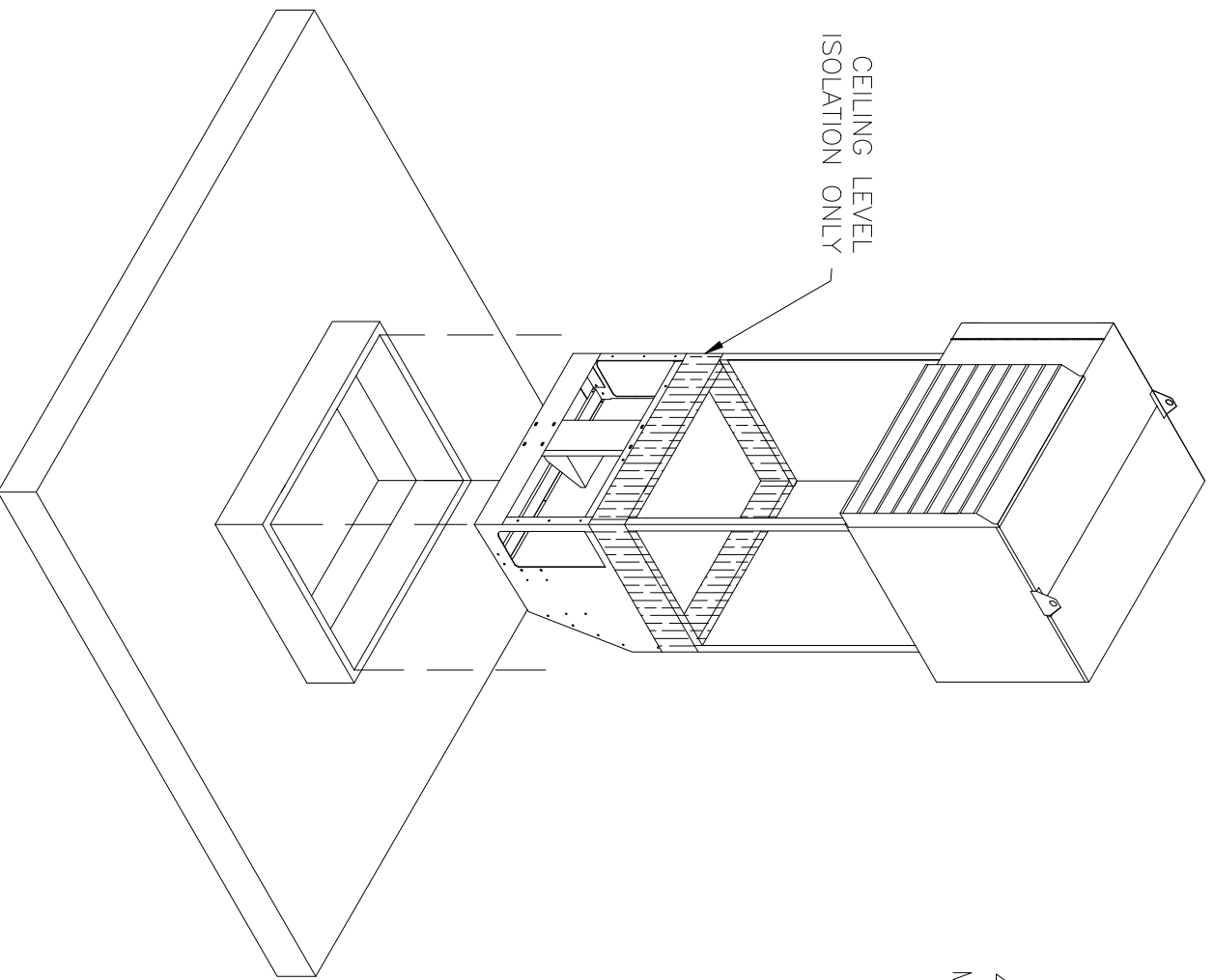
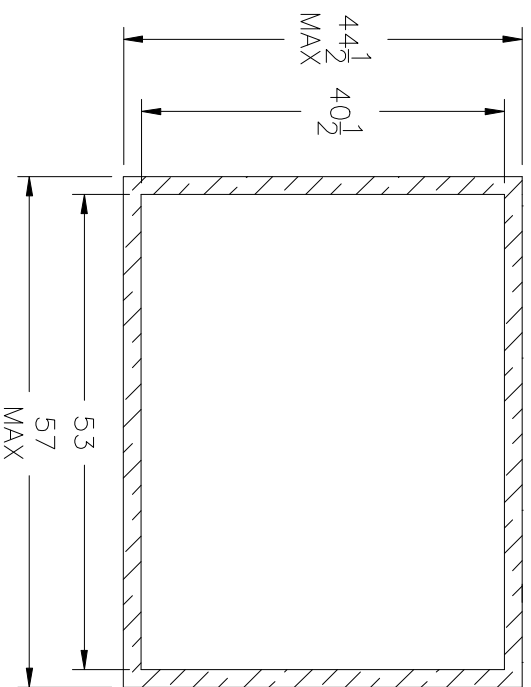
SCALE:

NTS


PAGE:

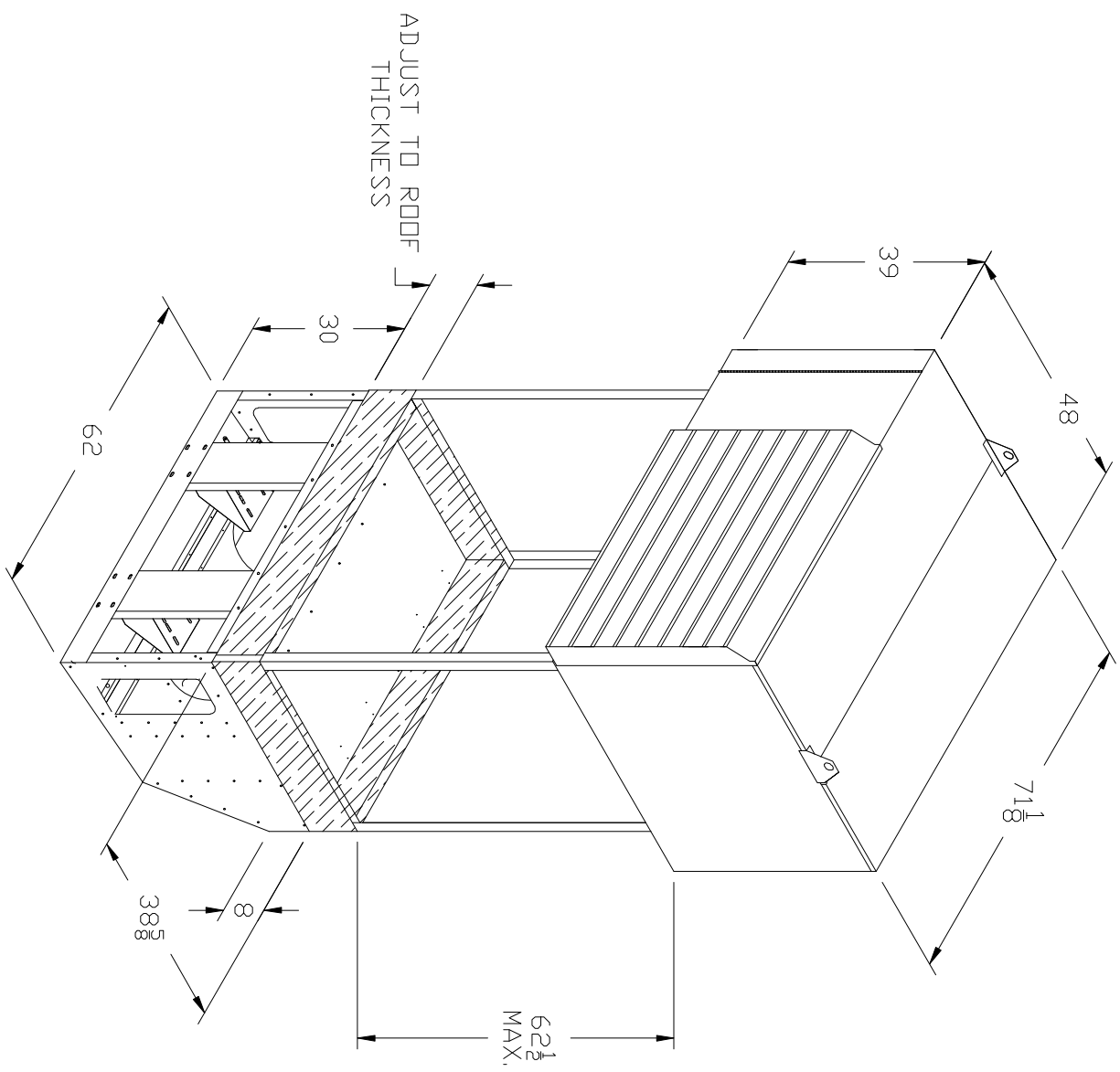
1/2

DIMENSION OF OPENING



NOTE : THE BASE OF THE OPENING MUST BE COVERED BY A MEMBRANE BENT TOWARDS THE INSIDE.  
 NOTE : DO NOT ADD ANY METAL PLATE BETWEEN THE BASE OF THE OPENING AND THE BASE OF THE UNIT.

		Canada	
		Refrigeration Systems Inc.	
TITLE: ROOF INSTALLATION			
DRAWN BY: F.L. VER. BY: --- NUM.: 99W107000R			
DATE: 05/07/07 SCALE: NTS PAGE: 2/2			



**C.R.S.**

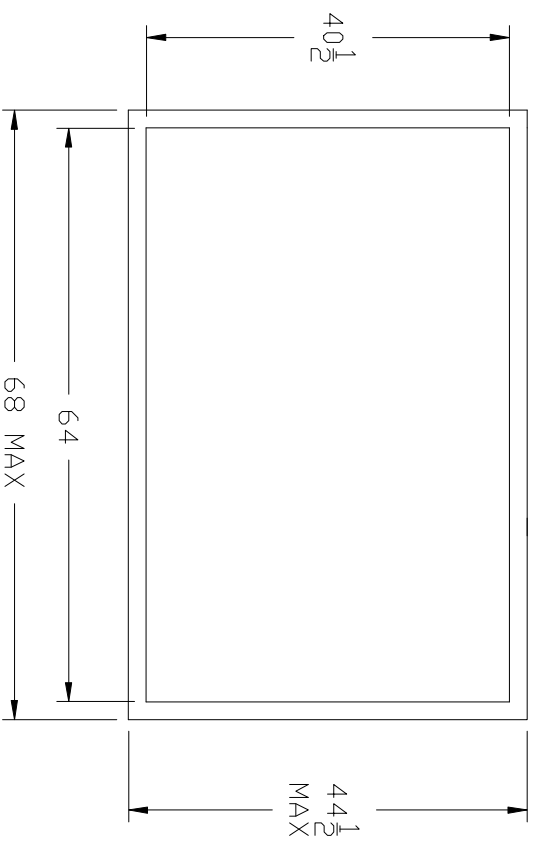
Canada Refrigeration Systems Inc.

TITLE: OVERALL VIEW  
 PLE 1100 ROOF UNIT

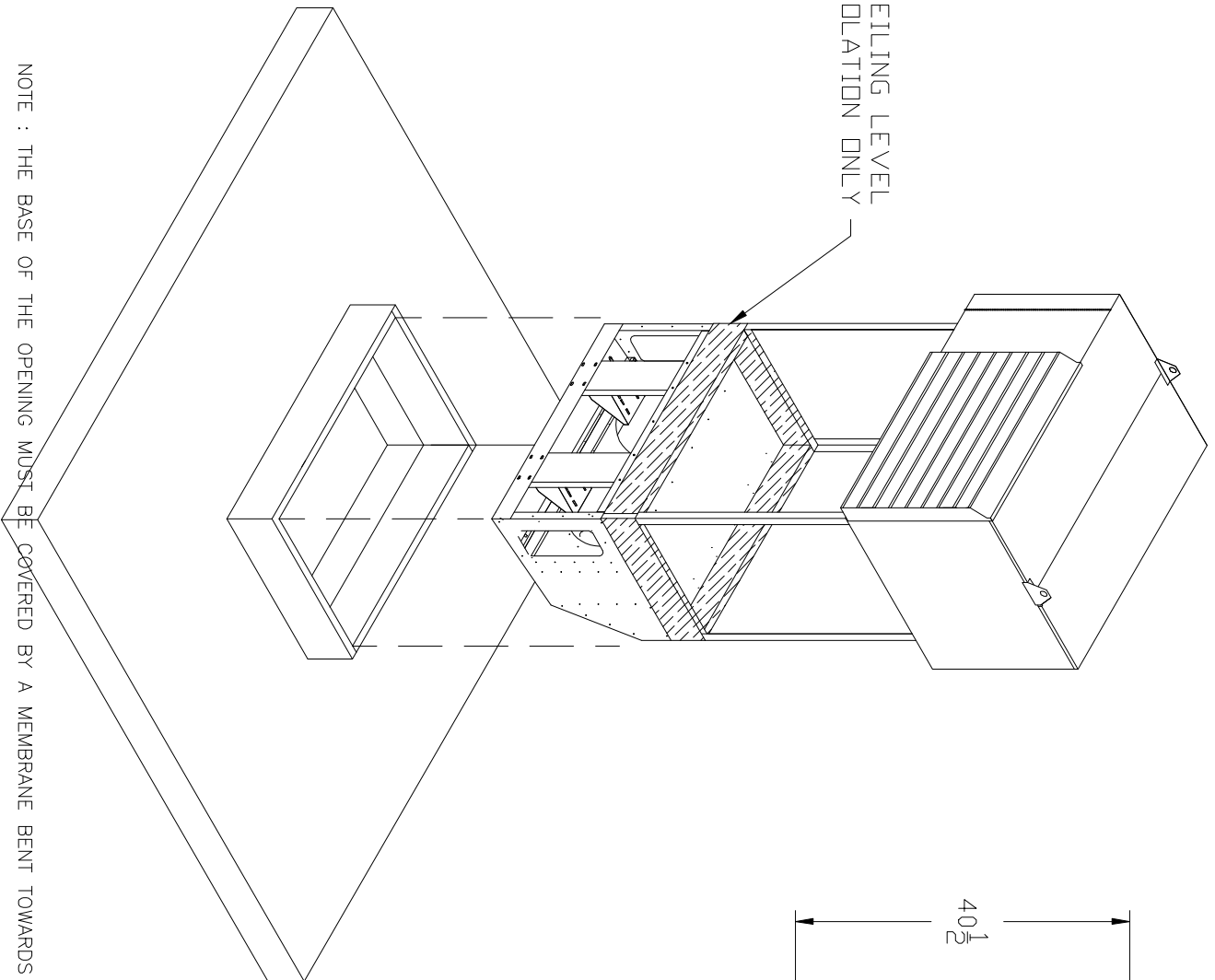
DRAWN BY: F.L. VER. BY: --- NUM.: 99W110000R

DATE: 05/07/07 SCALE: NTS PAGE: 1/2

# DIMENSION OF OPENING

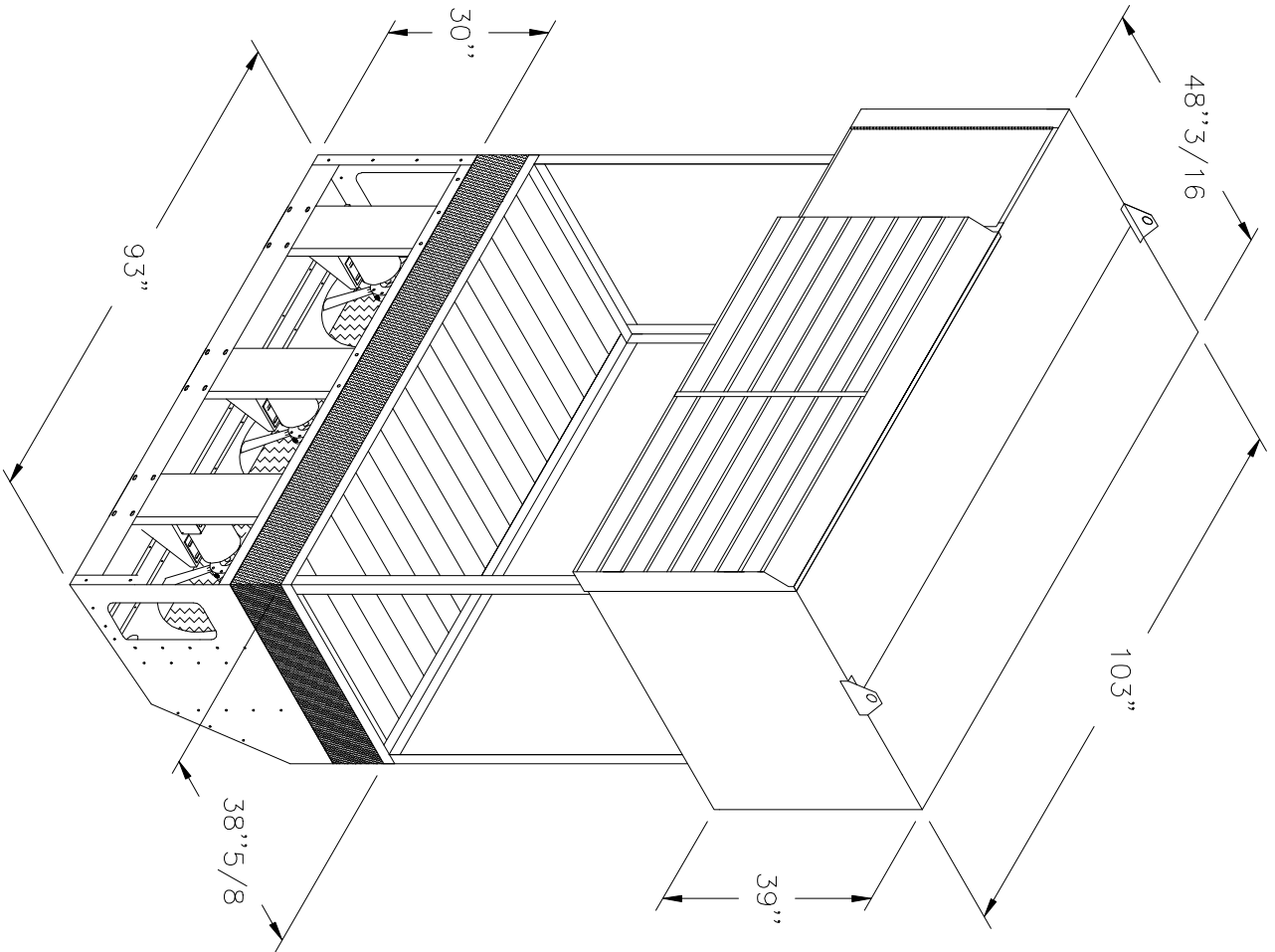


CEILING LEVEL  
ISOLATION ONLY



NOTE : THE BASE OF THE OPENING MUST BE COVERED BY A MEMBRANE BENT TOWARDS THE INSIDE.  
 NOTE : DO NOT ADD ANY METAL PLATE BETWEEN THE BASE OF THE OPENING AND THE BASE OF THE UNIT.

<b>C.R.S.</b>		Canada Refrigeration Systems Inc.	
ROOF INSTALLATION			
PLE 1100 ROOF UNIT			
DRAWN BY:	F.L.	VER. BY:	---
DATE:	05/07/07	SCALE:	NTS
		PAGE:	2/2



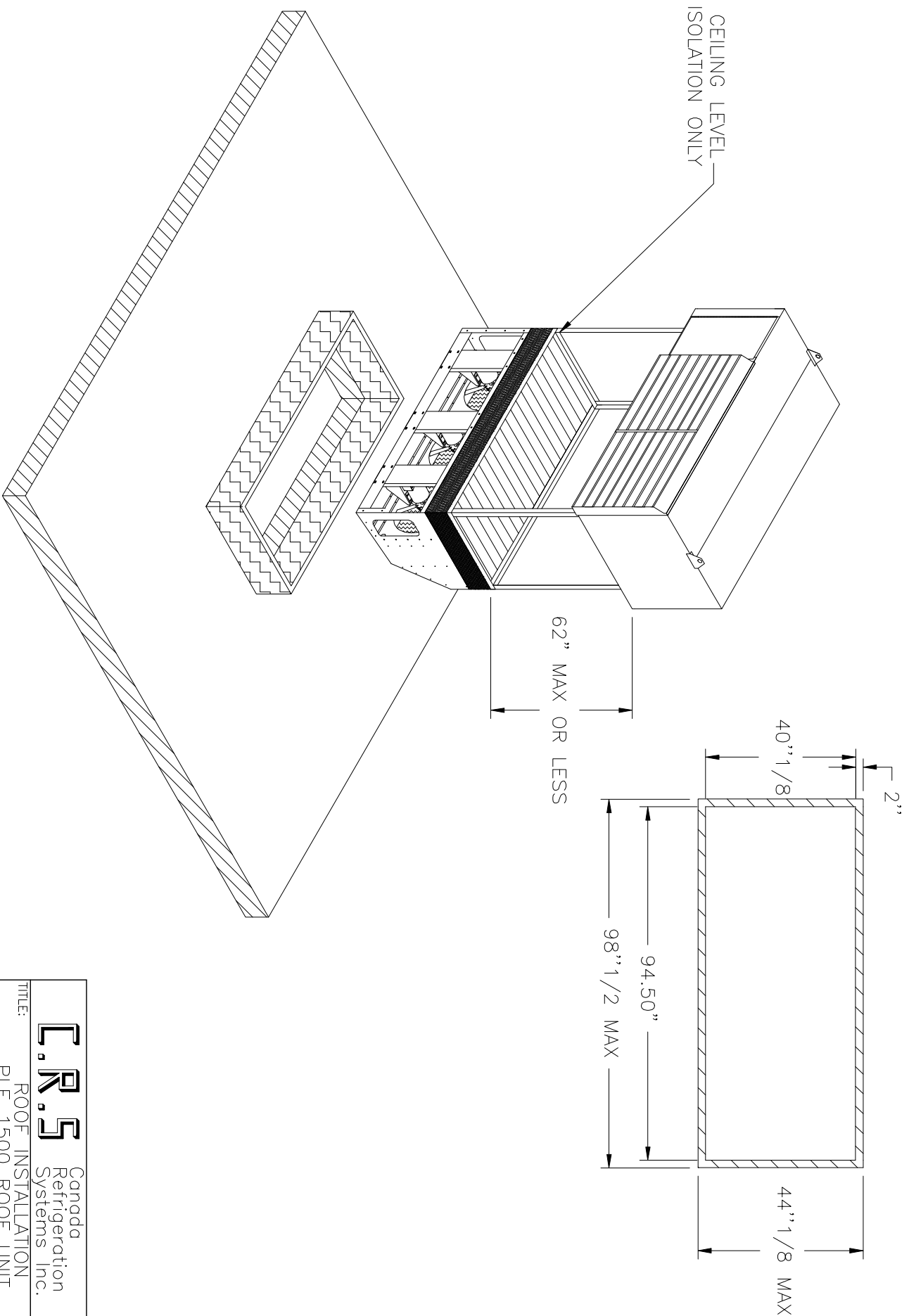
**C.R.S.**

Canada Refrigeration Systems Inc.

TITLE: OVERALL VIEW  
 PLE 1500 ROOF UNIT

DRAWN BY: F.L. VER. BY: --- NUM.: 99W150000R

DATE: 05/07/07 SCALE: NTS PAGE: 1/2



CEILING LEVEL  
ISOLATION ONLY

62" MAX OR LESS

DIMENSION OF OPENING

2"

40" 1/8

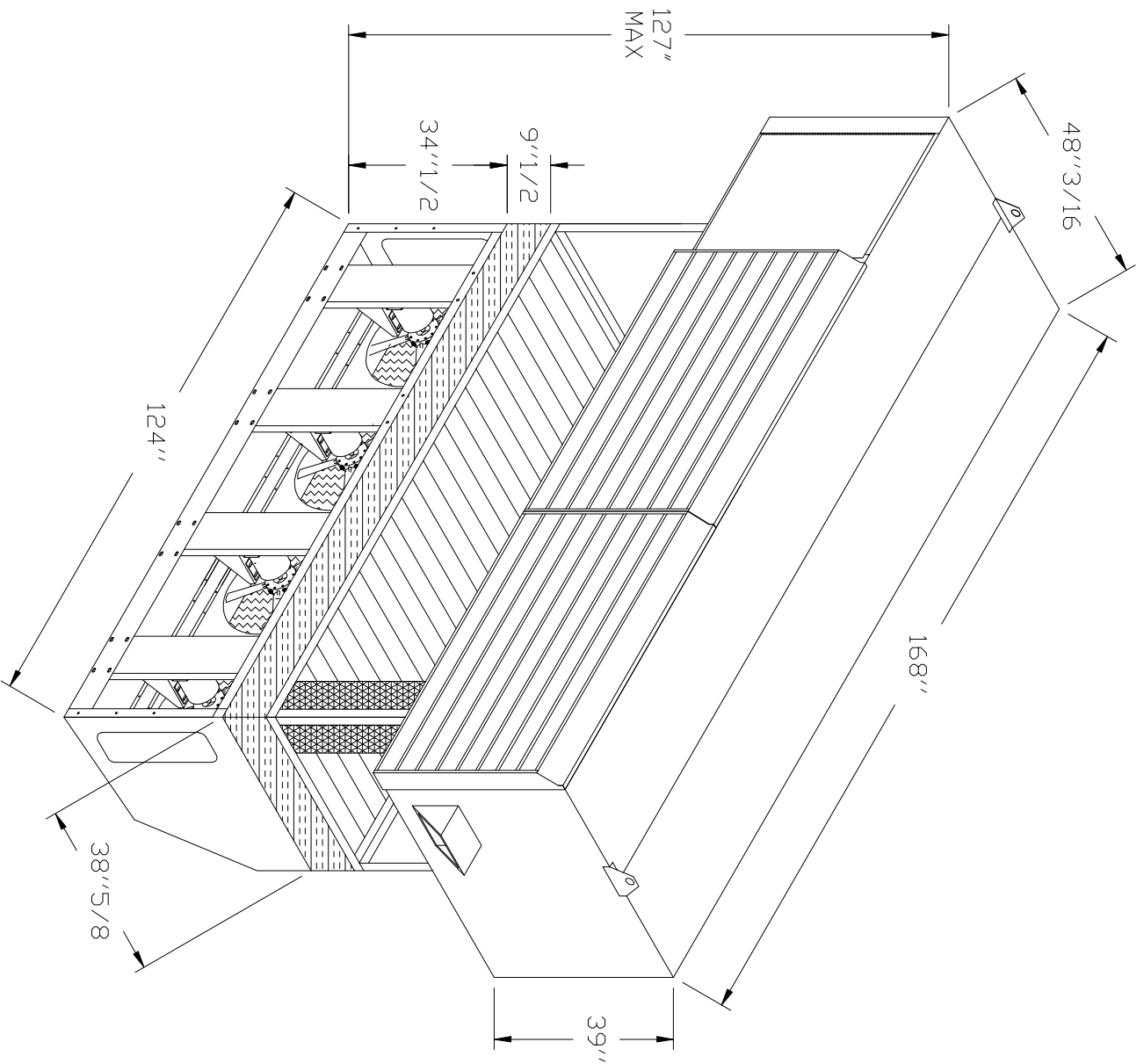
44" 1/8 MAX

94.50"

98" 1/2 MAX

NOTE : THE BASE OF THE OPENING MUST BE COVERED BY A MEMBRANE BENT TOWARDS THE INSIDE.  
NOTE : DO NOT ADD ANY METAL PLATE BETWEEN THE BASE OF THE OPENING AND THE BASE OF THE UNIT.

<b>C.R.S.</b>		Canada Refrigeration Systems Inc.	
TITLE: ROOF INSTALLATION			
DRAWN BY: F.L. VER. BY: --- NUM: 99W150000R			
DATE: 06/07/07 SCALE: NTS PAGE: 2/2			



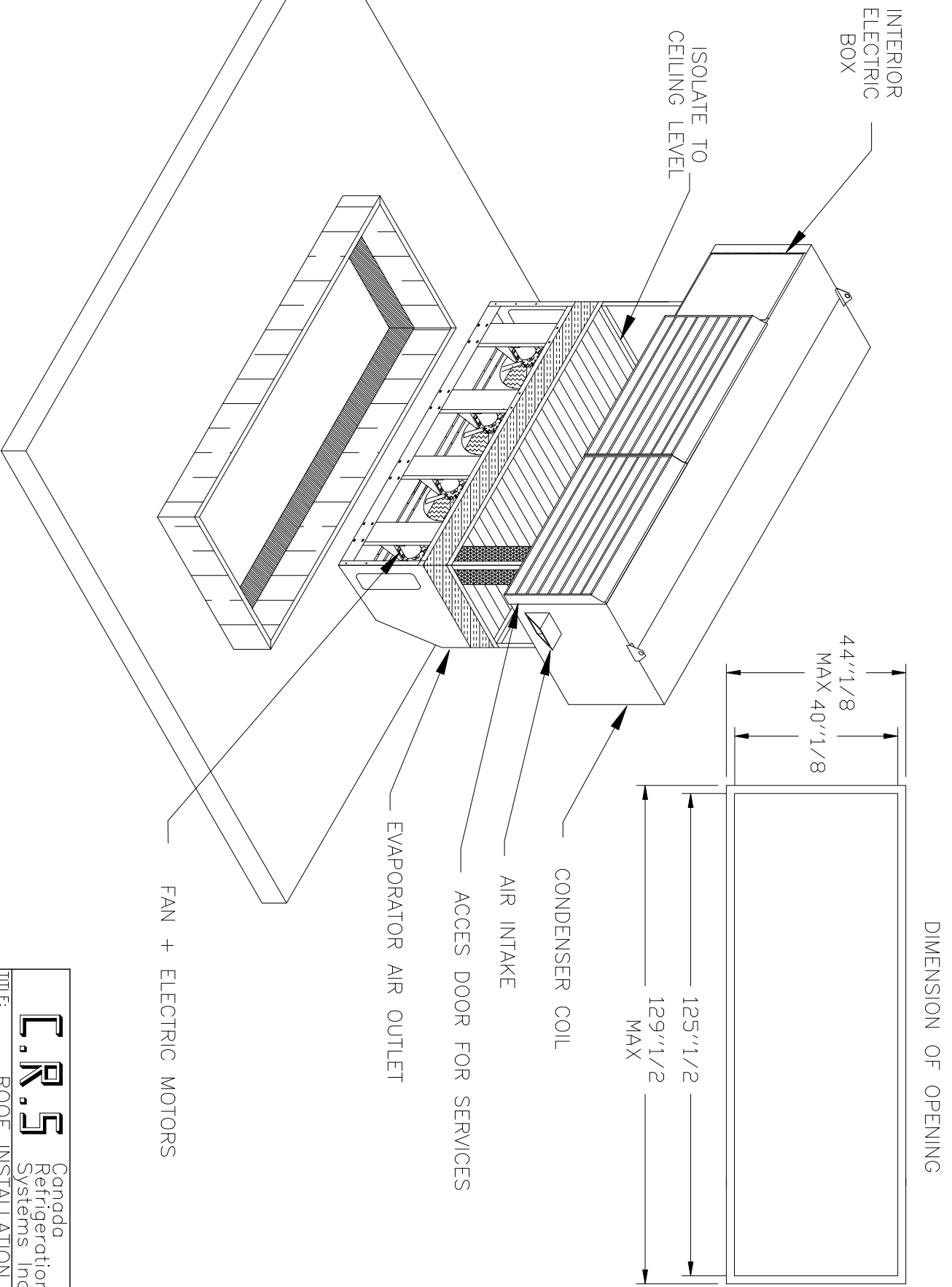
**C.R.S.**

Canada Refrigeration Systems Inc.

TITLE: OVERALL VIEW  
 PLE 2000 ROOF UNIT

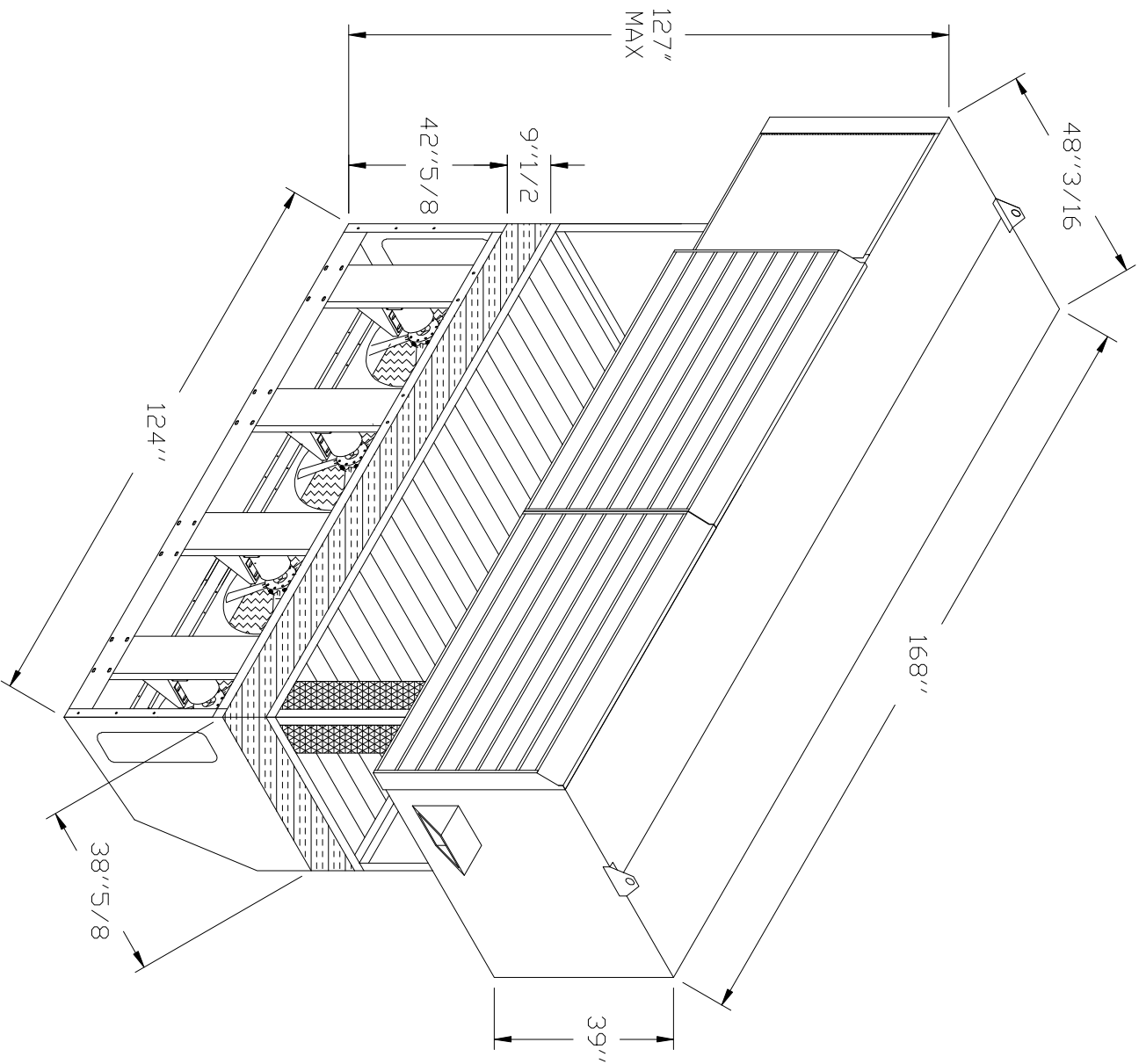
DRAWN BY: F.L.	VER. BY: ---	NUM.:
DATE: 05/07/07	SCALE: NTS	PAGE: 1/2





NOTE : THE BASE OF THE OPENING MUST BE COVERED BY A MEMBRANE BENT TOWARDS THE INSIDE.  
 NOTE : DO NOT ADD ANY METAL PLATE BETWEEN THE BASE OF THE OPENING AND THE BASE OF THE UNIT.

		Canada Refrigeration Systems Inc.	
		TITLE: ROOF INSTALLATION PLE 2000 ROOF UNIT	
DRAWN BY: F.L. DATE: 06/07/07	VER. BY: --- SCALE: NTS	NUM.: 99W200000R PAGE: 2/2	



**C.R.S.**

Canada Refrigeration Systems Inc.

TITLE:

OVERALL VIEW  
PLE 2500 ROOF UNIT

DRAWN BY: F.L.

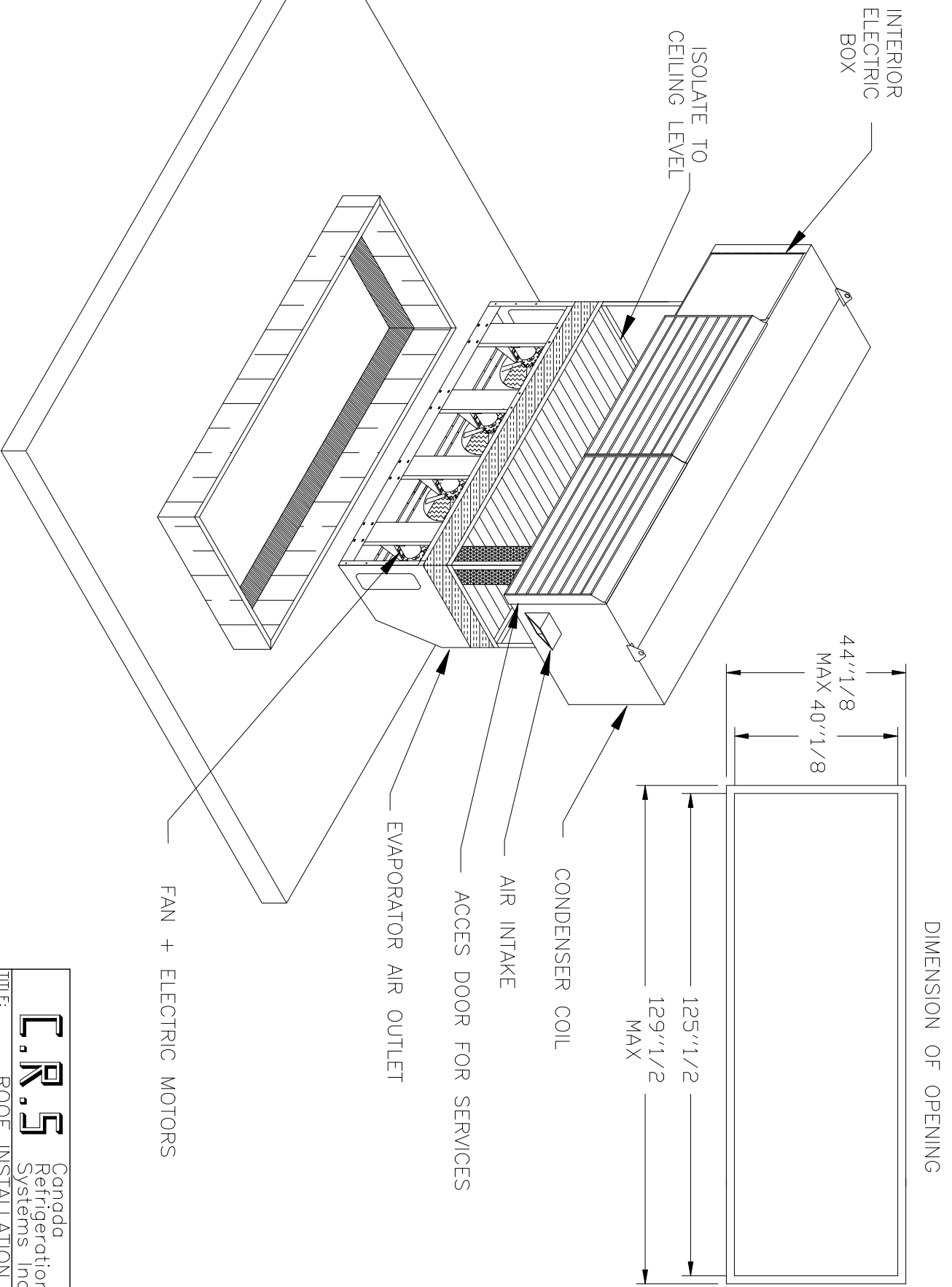
VER: BY: ---

NUM: 99W250000R

DATE: 05/07/07

SCALE: NTS

PAGE: 1/2



NOTE : THE BASE OF THE OPENING MUST BE COVERED BY A MEMBRANE BENT TOWARDS THE INSIDE.  
 NOTE : DO NOT ADD ANY METAL PLATE BETWEEN THE BASE OF THE OPENING AND THE BASE OF THE UNIT.

		Canada Refrigeration Systems Inc.	
		TITLE: ROOF INSTALLATION PLE 2500 ROOF UNIT	
DRAWN BY: F.L. DATE: 06/07/07	VER. BY: --- SCALE: NTS	NUM.: 99W250000R PAGE: 2/2	