

**C.R.S.**

Canada Refrigeration Systems Inc.

TITLE: OVERALL VIEW

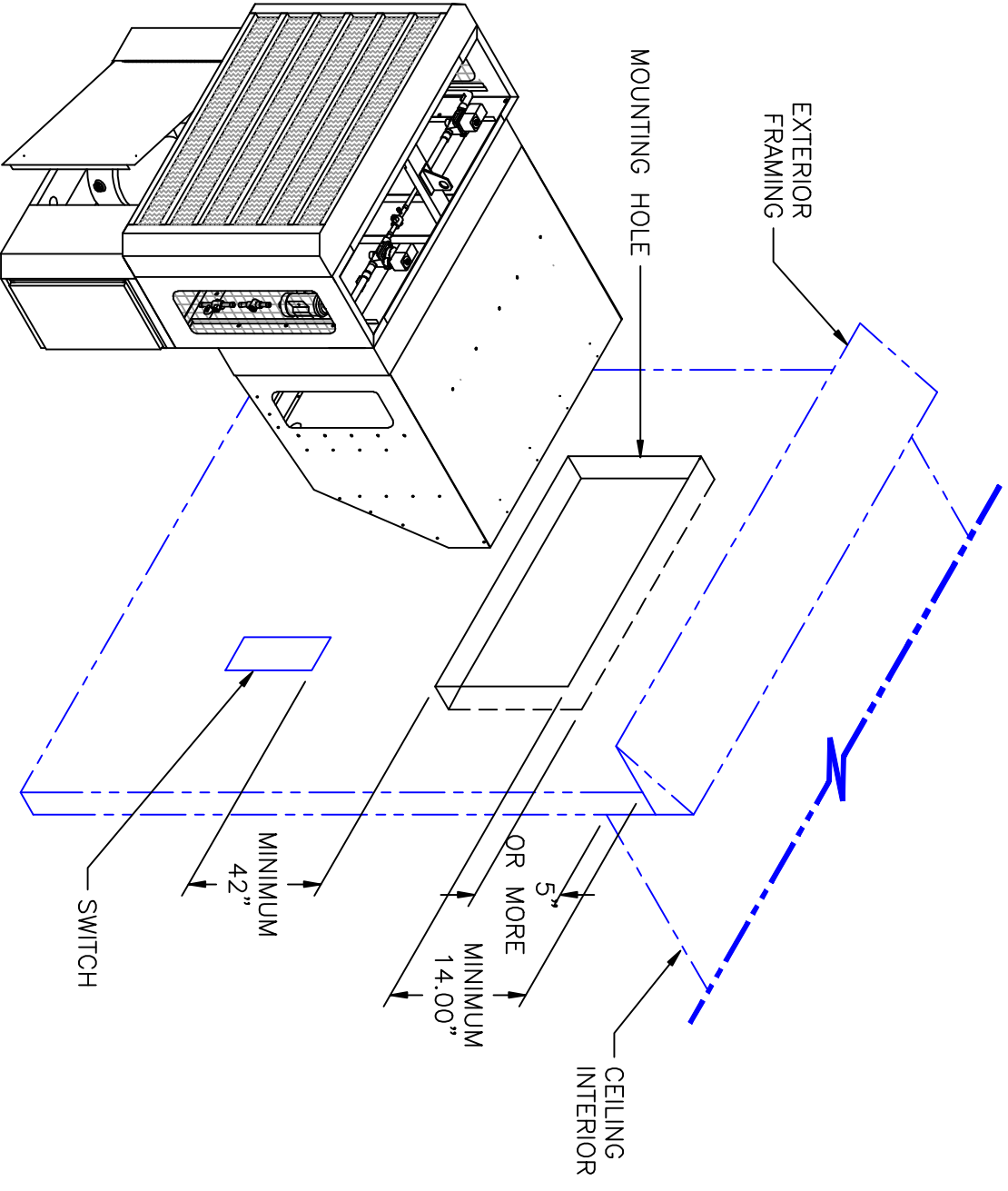
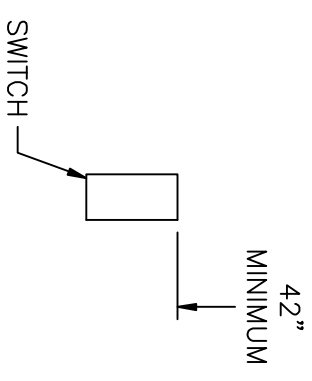
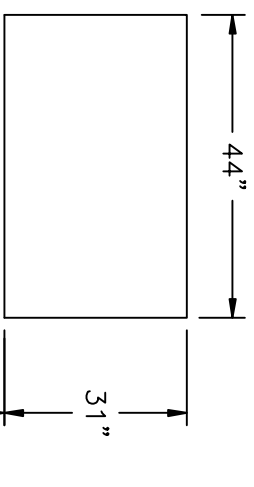
PLE 1050 WALL UNIT

DRAWN BY: F.L. VER. BY: --- NUM.:

99W105000W

DATE: 10/12/08 SCALE: NTS PAGE: 1/2

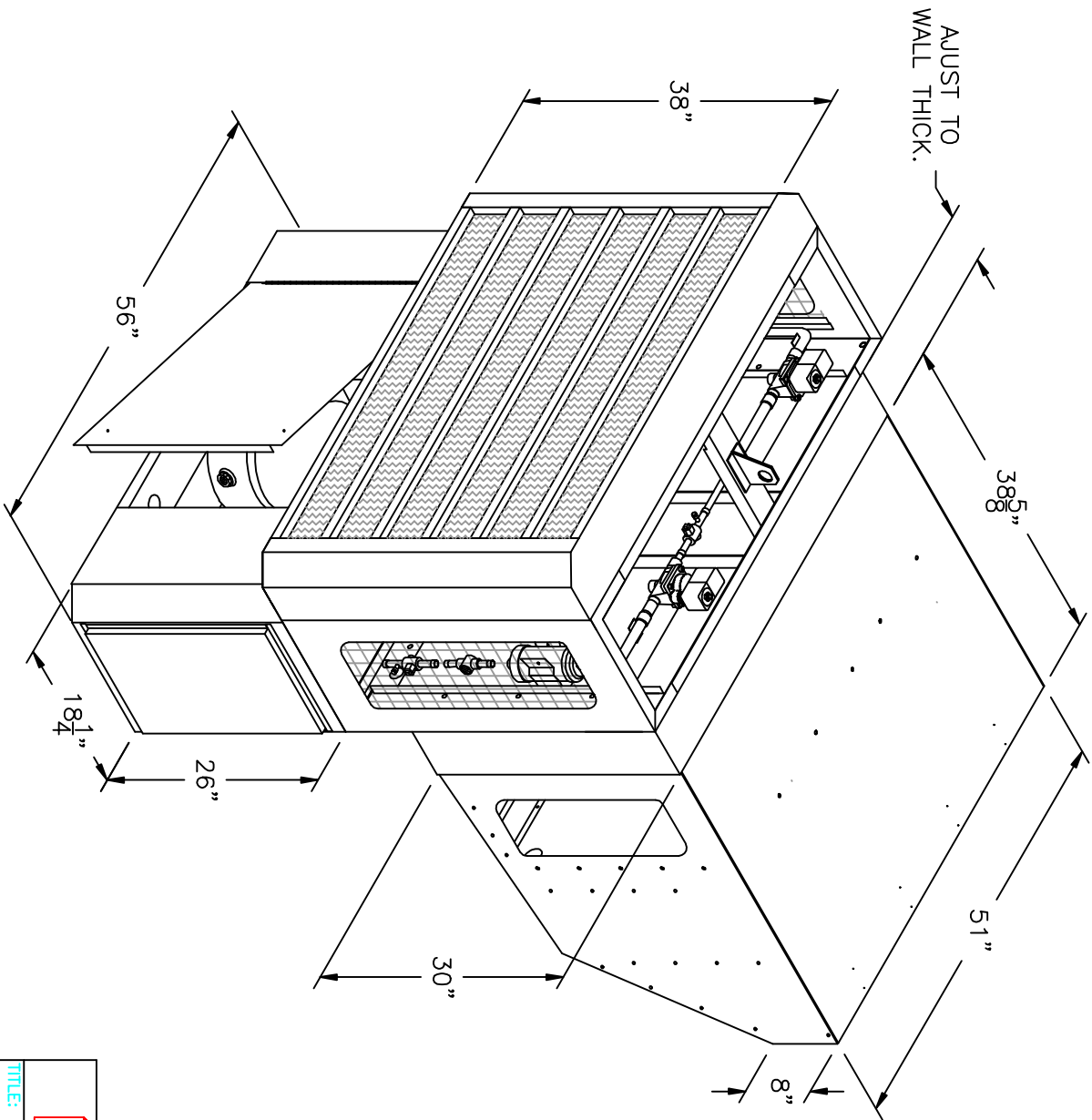
**HOLE DIMENSIONS**



**HOLE POSITION**  
 IMPORTANT:  
 -5" OR MORE FROM INTERIOR CEILING TO EDGE OF HOLE.  
 -14" MINIMUM FROM EXTERIOR FRAMING TO EDGE OF HOLE.

**C.R.S.** Canada Refrigeration Systems Inc.

|           |                   |
|-----------|-------------------|
| TITLE:    | WALL INSTALLATION |
| DRAWN BY: | F.L.              |
| DATE:     | 10/12/08          |
| VER. BY:  | ---               |
| SCALE:    | NTS               |
| NUM.:     | 99W105000W        |
| PAGE:     | 2/2               |



**C.R.S.**

Canada Refrigeration Systems Inc.

TITLE:

OVERALL VIEW  
PLE 1075 WALL UNIT

DRAWN BY: F.L.

VER. BY: ---

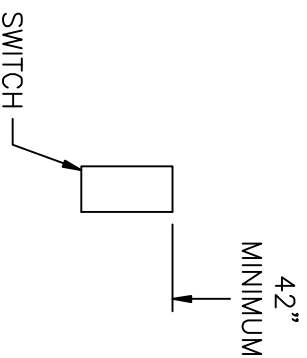
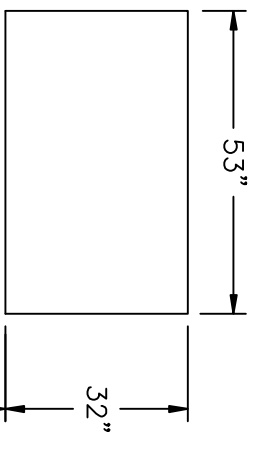
NUM.: 99W107000W

DATE: 10/12/08

SCALE: NTS

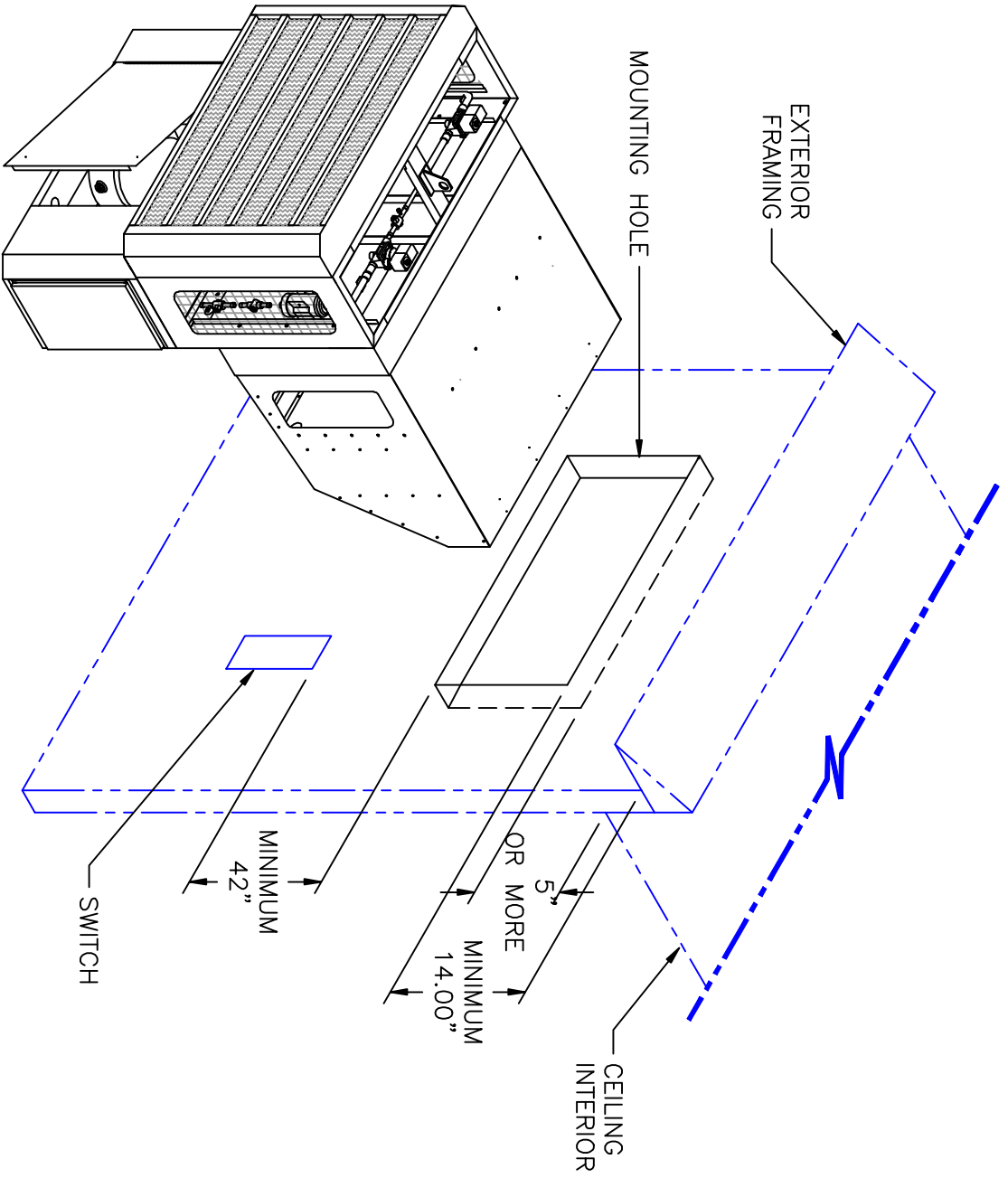
PAGE: 1/2

# HOLE DIMENSIONS



## HOLE POSITION

IMPORTANT:  
 -5" OR MORE FROM INTERIOR CEILING TO EDGE OF HOLE.  
 -14" MINIMUM FROM EXTERIOR FRAMING TO EDGE OF HOLE.



**C.R.S.**

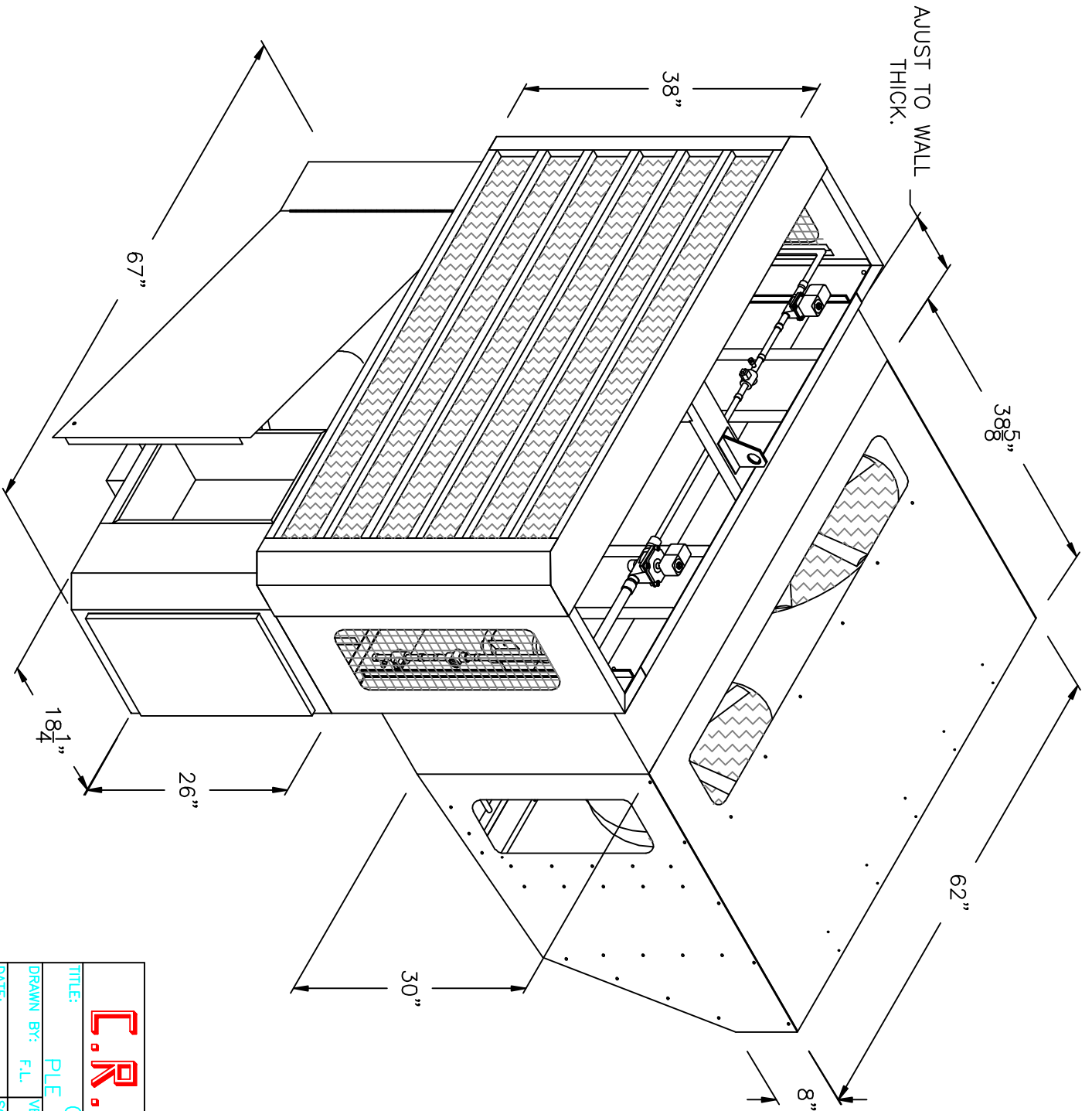
Canada Refrigeration Systems Inc.

TITLE: WALL INSTALLATION

PLE 1075 WALL UNIT

DRAWN BY: F.L. VER. BY: --- NUM. 99W107000W

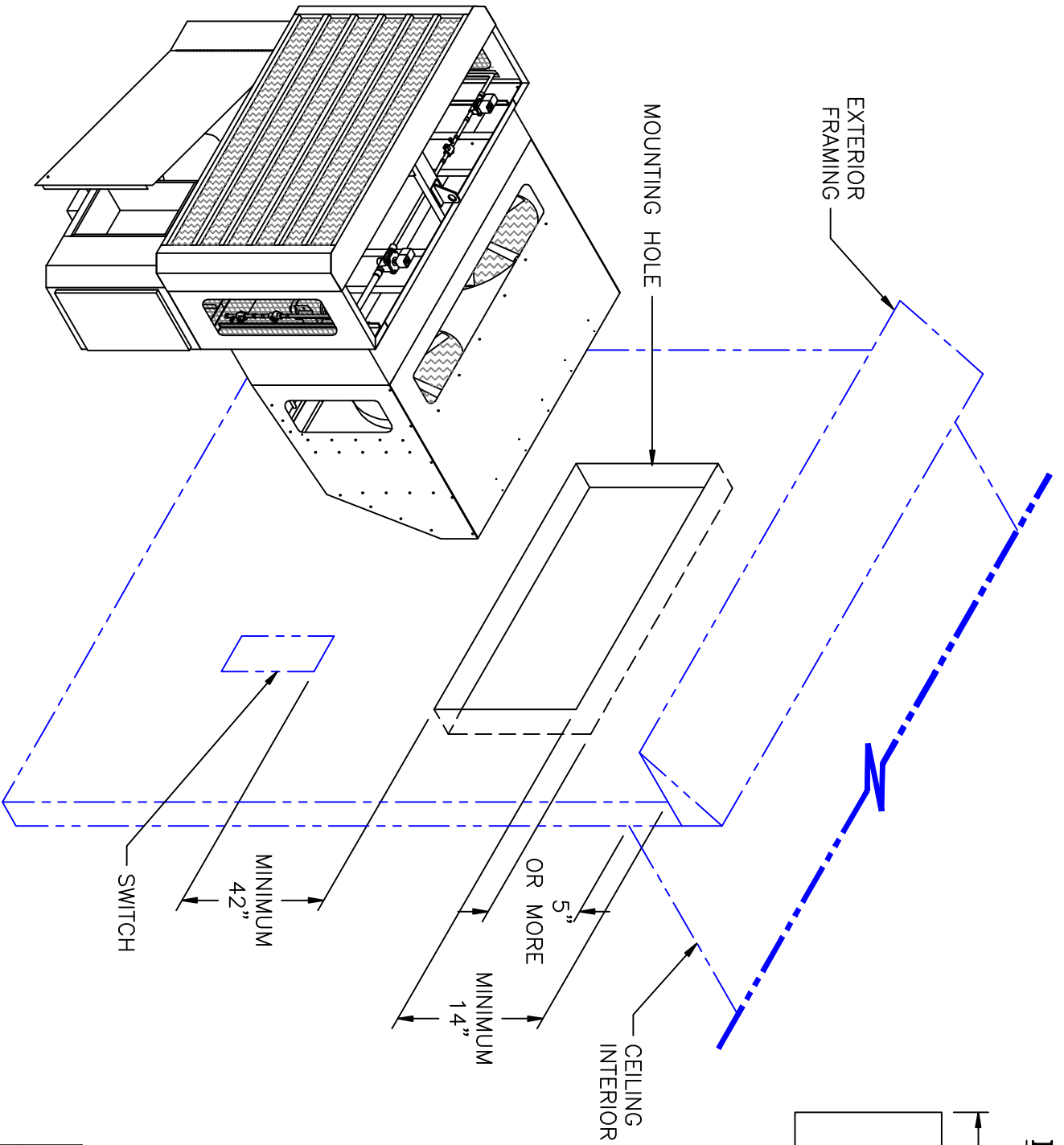
DATE: 10/12/08 SCALE: NTS PAGE: 2/2



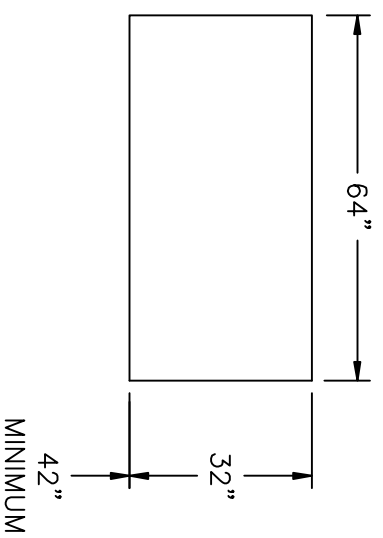
**C.R.S.** Canada Refrigeration Systems Inc.

TITLE: OVERALL VIEW  
 PLE 1100 WALL UNIT

|                |              |            |
|----------------|--------------|------------|
| DRAWN BY: F.L. | VER. BY: --- | NUM.:      |
| DATE: 17/06/03 | SCALE: NTS   | 99W110000W |
|                |              | PAGE: 1/2  |



**HOLE DIMENSIONS**

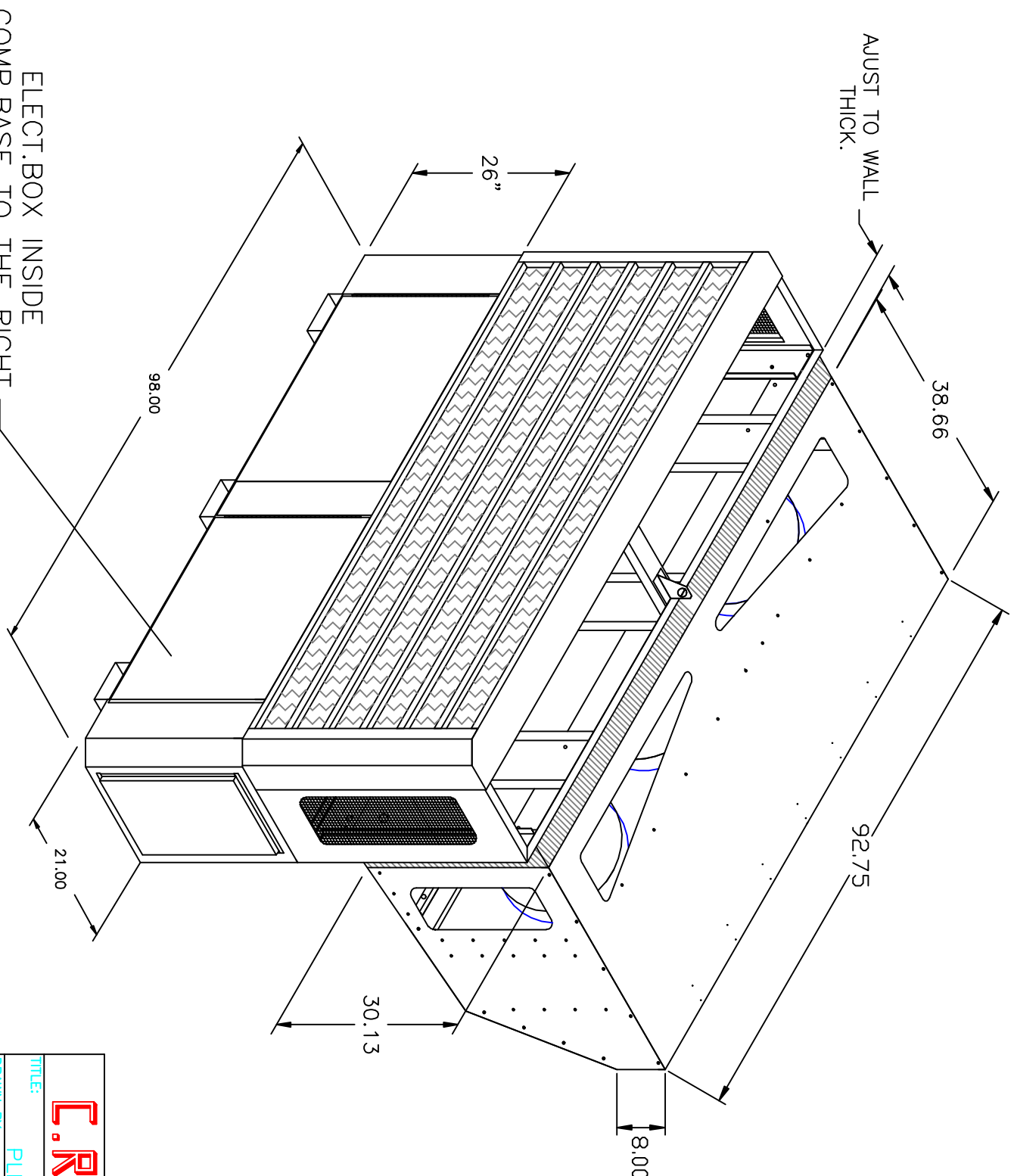


**HOLE POSITION**

IMPORTANT:  
 -5" OR MORE FROM INTERIOR CEILING TO EDGE OF HOLE.  
 -14" MINIMUM FROM EXTERIOR FRAMING TO EDGE OF HOLE.

**C.R.S.** Canada Refrigeration Systems Inc.

|           |                                      |          |     |
|-----------|--------------------------------------|----------|-----|
| TITLE:    | WALL INSTALLATION PLE 1100 WALL UNIT |          |     |
| DRAWN BY: | F.L.                                 | VER. BY: | --- |
| DATE:     | 17/06/03                             | SCALE:   | NTS |
| NUM.:     | 99W110000W                           | PAGE:    | 2/2 |



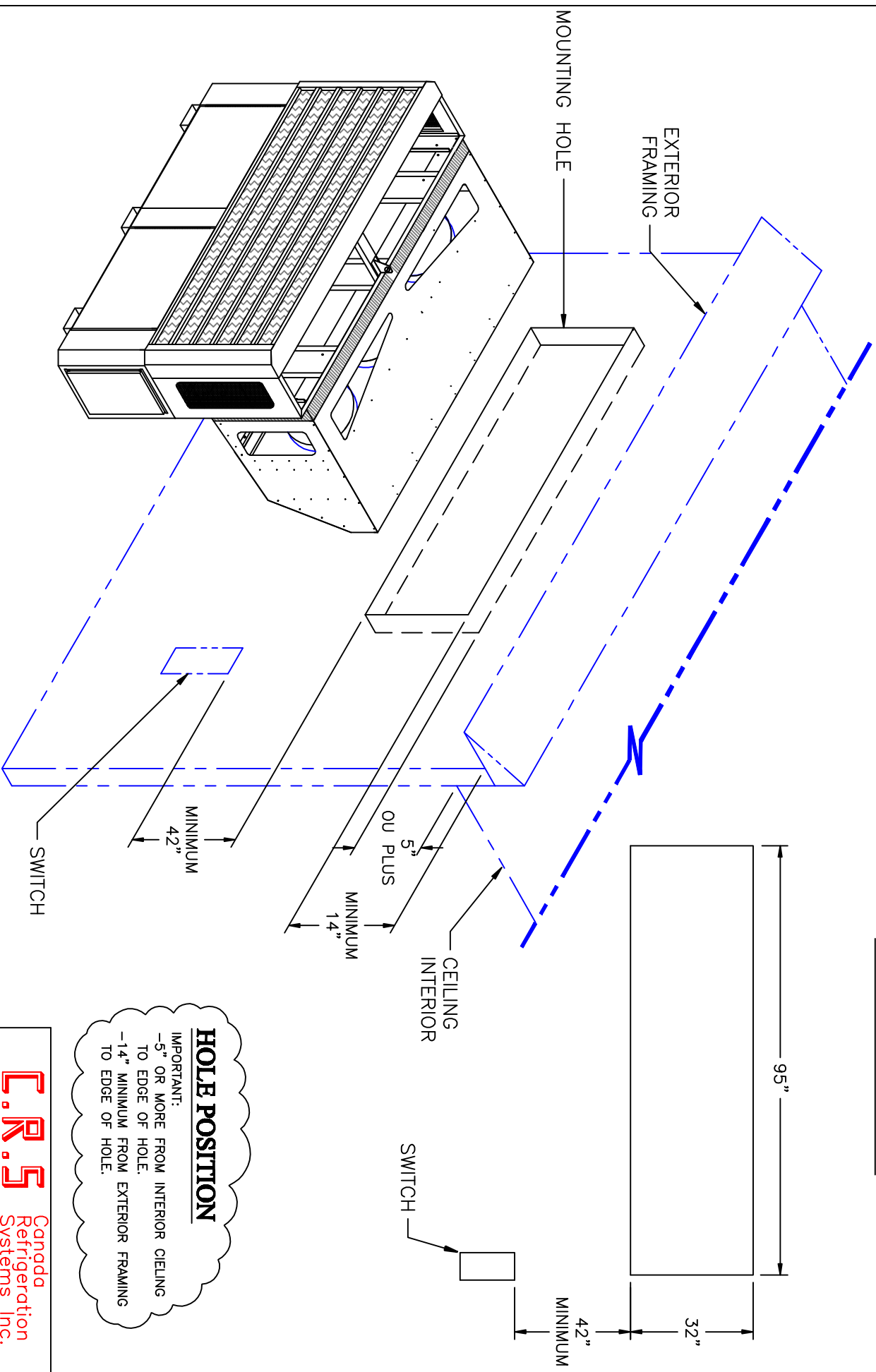
ELECT. BOX INSIDE  
 COMP. BASE TO THE RIGHT



Canada Refrigeration Systems Inc.

|           |              |          |                    |
|-----------|--------------|----------|--------------------|
| TITLE:    | OVERALL VIEW |          |                    |
| DRAWN BY: | F.L.         | VER. BY: | ---                |
| DATE:     | 17/06/03     | SCALE:   | NTS                |
|           |              | PAGE:    | 1/2                |
|           |              | NUM.:    | 99W150000W         |
|           |              |          | PLE 1500 WALL UNIT |

# HOLE DIMENSIONS

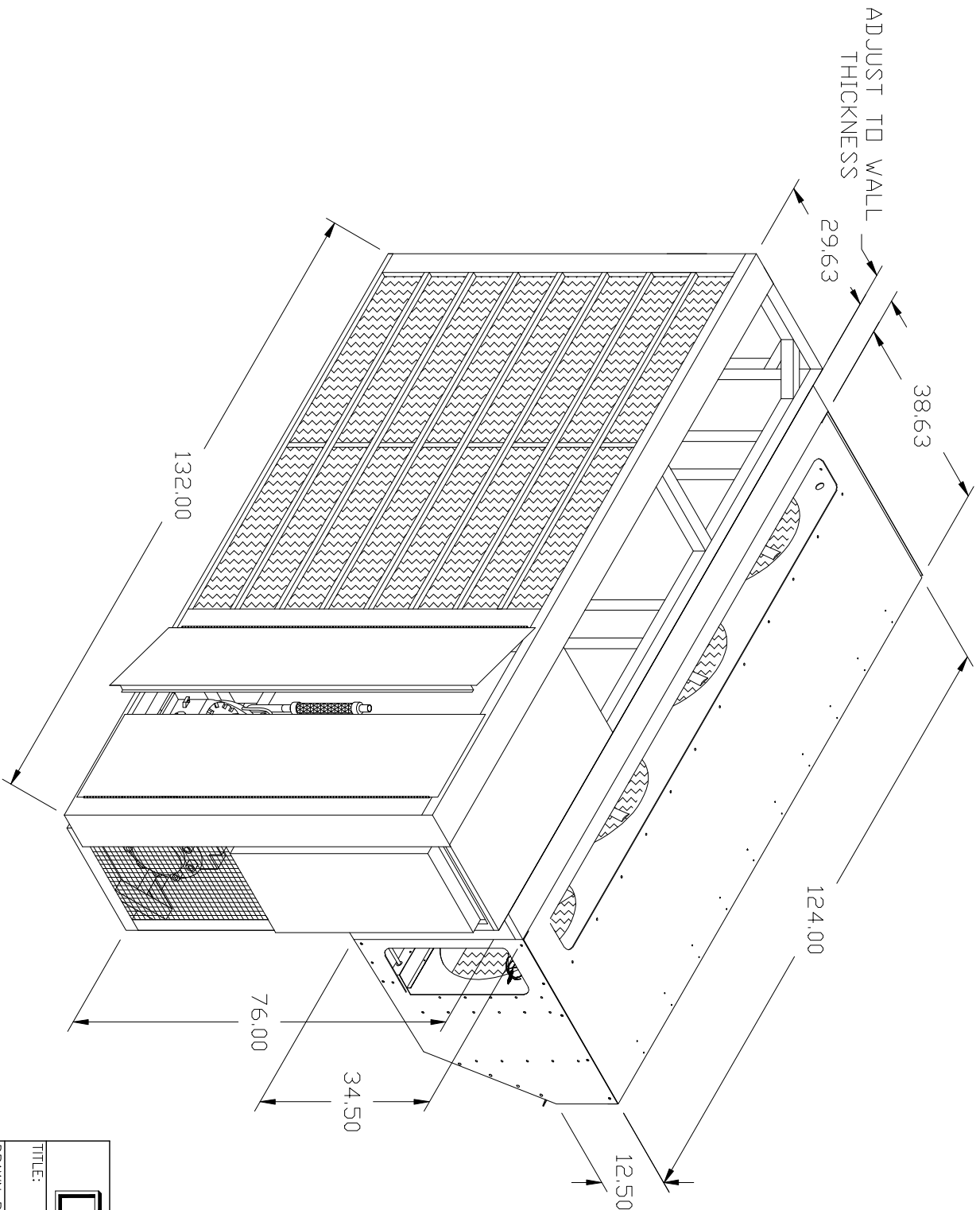


**HOLE POSITION**  
 IMPORTANT:  
 -5" OR MORE FROM INTERIOR CEILING TO EDGE OF HOLE.  
 -14" MINIMUM FROM EXTERIOR FRAMING TO EDGE OF HOLE.

**C.R.S.** Canada Refrigeration Systems Inc.

|           |                   |
|-----------|-------------------|
| TITLE:    | WALL INSTALLATION |
| DRAWN BY: | F.L.              |
| DATE:     | 17/06/03          |
| VER. BY:  | ---               |
| SCALE:    | NTS               |
| NUM.:     | 99W150000W        |
| PAGE:     | 2/2               |



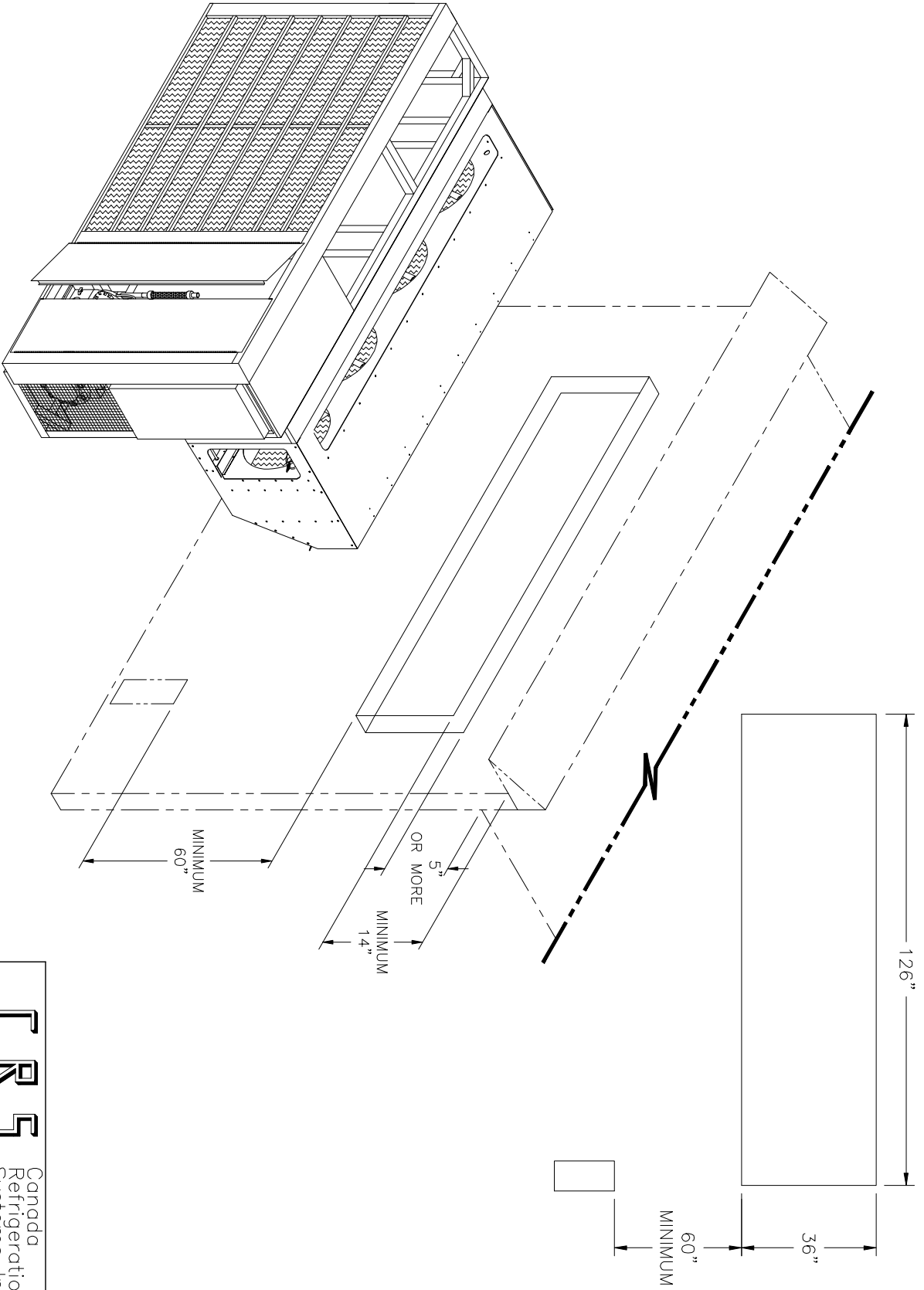


**C.R.S.**

Canada Refrigeration Systems Inc.

TITLE: OVERALL VIEW  
 PLE 2000 WALL UNIT

|                |              |                 |
|----------------|--------------|-----------------|
| DRAWN BY: F.L. | VER. BY: --- | NUM: 99W200000W |
| DATE: 04/08/08 | SCALE: NTS   | PAGE: 1/2       |



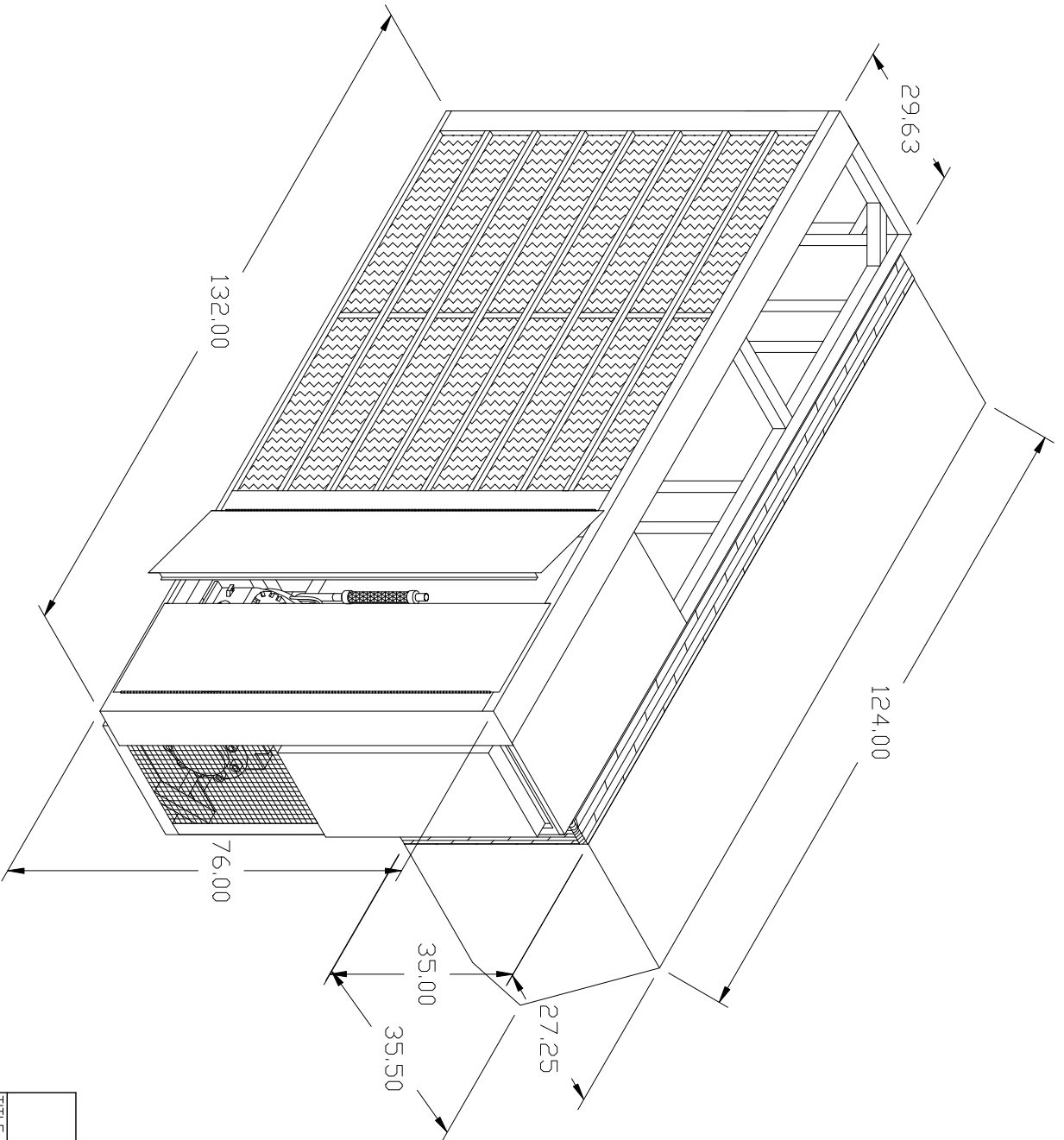
**C.R.S.**

Canada Refrigeration Systems Inc.

TITLE: WALL INSTALLATION  
 PLE 2000 WALL UNIT

DRAWN BY: F.L. VER. BY: --- NUM.: 99W200000W

DATE: 04/08/08 SCALE: NTS PAGE: 2/2

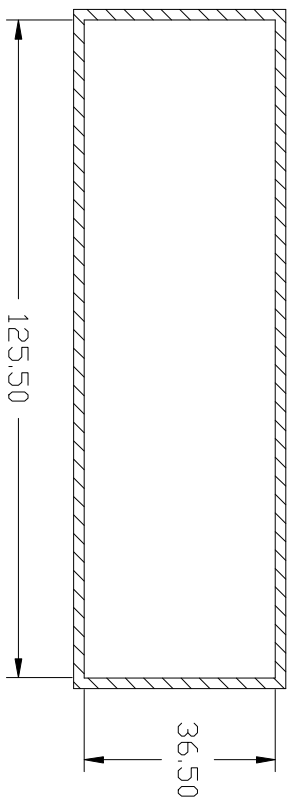
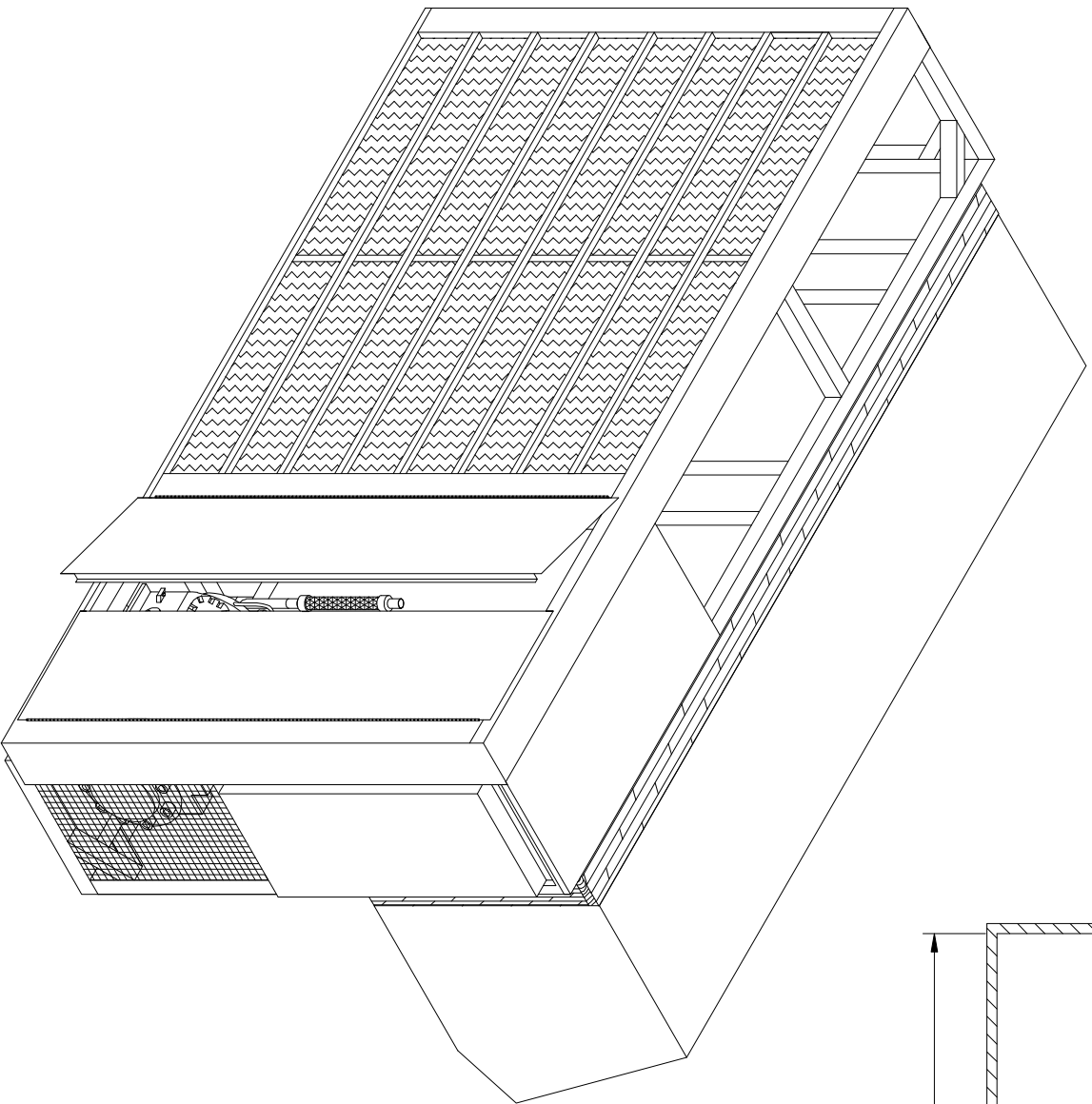


**C.R.S.**  
Canada Refrigeration Systems Inc.

TITLE: OVERALL VIEW  
 PLE 2000 90 WALL UNIT

DRAWN BY: F.L. VER. BY: --- NUM: 99V200000W

DATE: 04/08/08 SCALE: NTS PAGE: 1/2



HOLE DIMENSION

**C.R.S.**

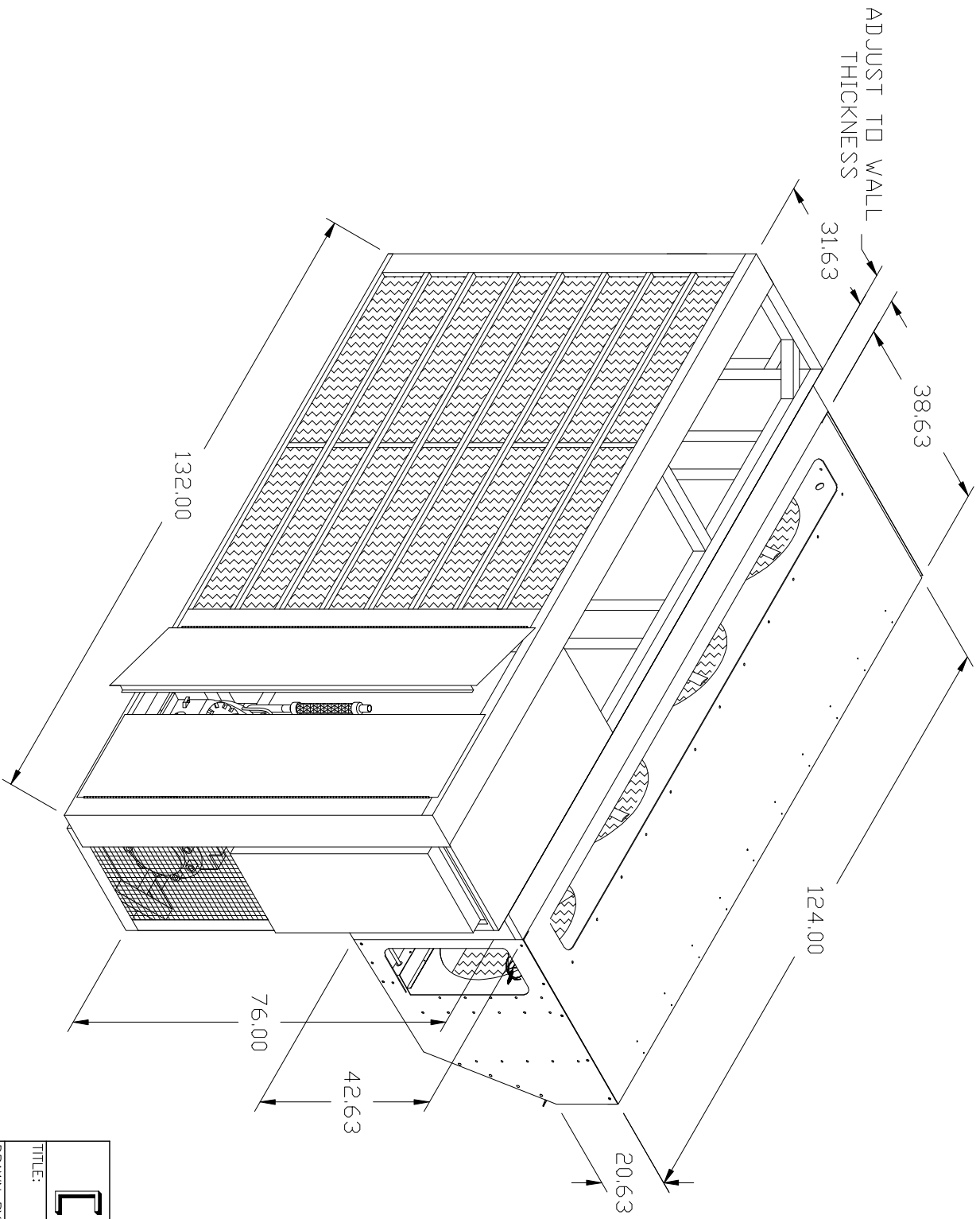
Canada Refrigeration Systems Inc.

TITLE: WALL INSTALLATION

PLE 2000 90 WALL UNIT

DRAWN BY: F.L. VER. BY: --- NUM: 99V200000W

DATE: 04/08/08 SCALE: NTS PAGE: 2/2



**C.R.S.**

Canada Refrigeration Systems Inc.

TITLE:

OVERALL VIEW  
PLE 2500 WALL UNIT

DRAWN BY:

F.L.

VER. BY:

---

NUM:

99W2500000W

DATE:

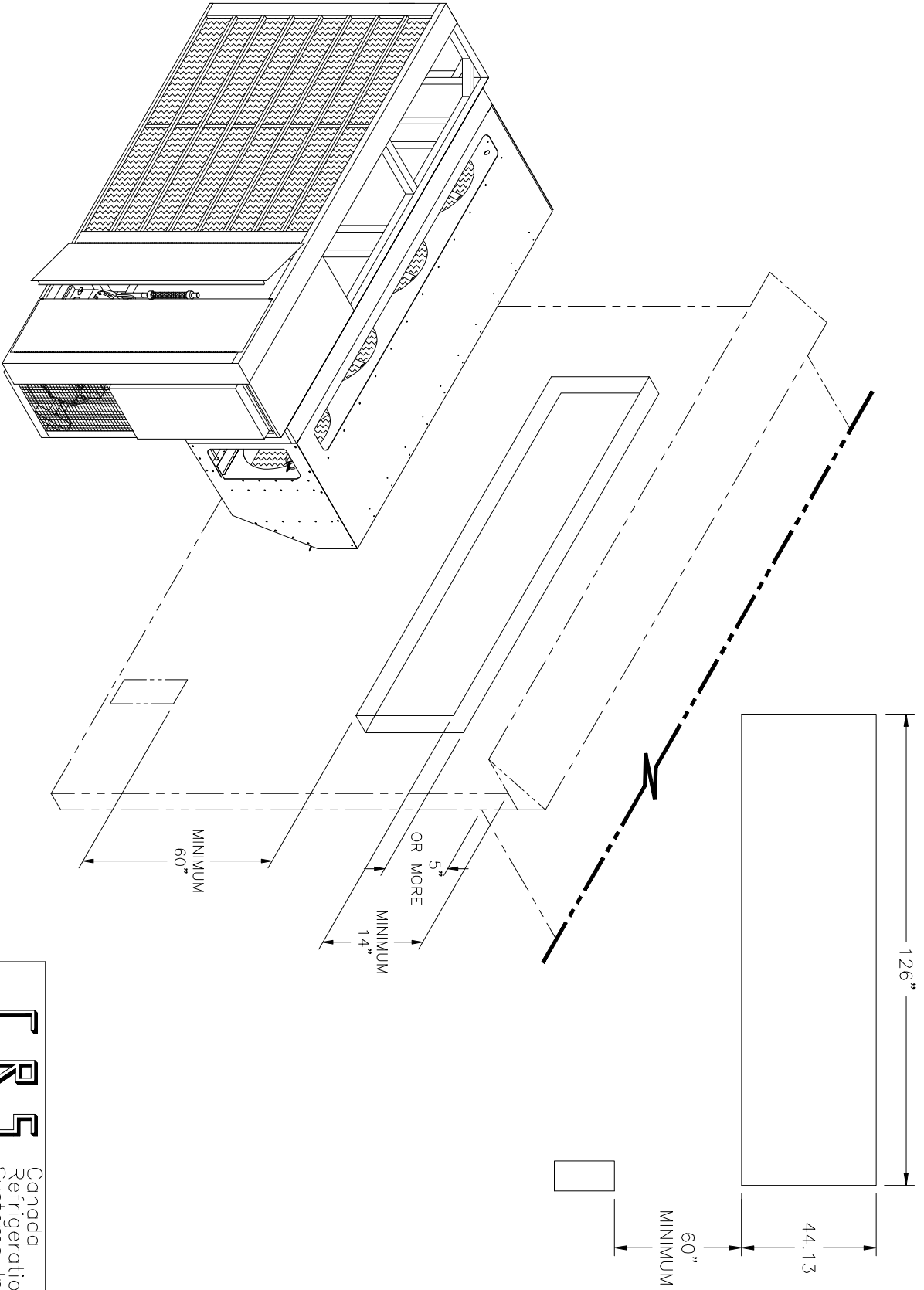
04/08/08

SCALE:

NTS

PAGE:

1/2



**C.R.S.**

Canada Refrigeration Systems Inc.

TITLE: WALL INSTALLATION  
PLE 2500 WALL UNIT

DRAWN BY: F.L. VER: BY: --- NUM: 99W2500000W

DATE: 04/08/08 SCALE: NTS PAGE: 2/2